

RL1-WP Series

Wet Location Remote LED Lamps



RL1-WP Series lamp heads combine the efficiency and reliability of LED illumination with rugged construction suitable for wet locations.

FEATURES AND BENEFITS

- 3 - 12VDC input
- Uses only 1 watt per lamp head
- Each lamp head contains 15 long lasting, efficient, ultra-bright white LEDs
- Rugged, injection-molded UL94 ABS flame retardant, high-temperature thermoplastic housing
- Low cost - easy installation
- Single and double head configurations available
- UL listed for wet locations
- For use with standard 4" j-box (Provided by others)
- Standard finishes: Black or Gray
- All models include mounting plate



WARRANTY

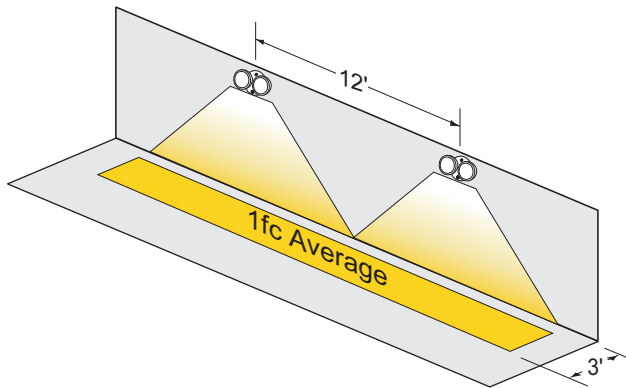
Any component that fails due to manufacturers defect is guaranteed for 3 years. The warranty does not cover physical damage, abuse or acts of God. See the full Exitronix warranty document for detailed information.

CONFORMANCE TO CODES & STANDARDS

The RL1-WP Series is UL listed and meets or exceeds the following: UL 924, N.E.C. requirements and N.F.P.A. 101.

SAMPLE PHOTOMETRICS

Using multiple units mounted at a typical 7.5' foot height delivers 12 foot on center spacing with a 3 foot wide path of egress.



ORDERING INFORMATION

Example: RL1-WP-GR

Series ¹	Finish
RL1-WP = Single Remote Lamp	GR = Gray
2RL1-WP = Double Remote Lamp	BL= Black

Note

¹ For use with Tempo Pro and VEX-WPC exits and combos

Model: _____ Date: _____
 Accessories: _____
 Job Name: _____ Type: _____

Specifications are subject to change without notice.
 Installation must be performed in accordance with
 Barron Lighting Group installation instructions.
 10800281 Rev 5 02/19



7885 North Glen Harbor Blvd
 Glendale, Arizona 85307
 800.533.3948
 barrontg.com