



RL2LED

Reliance Series Compact LED Emergency Light

DATE:

COMMENTS:

PROJECT

FEATURES

- Compact, low-profile design constructed of UV stabilized UL94V-O flame retardant ABS injection molded thermoplastic.
- High output 2W adjustable LED heads provide 125 lumens each.
- Optional single or double remote heads available with 3.6V, 1W LEDs.
- Compatible with Isolite MVH and MVI remote heads.
- Quick snap-fit installation for ceiling mount and back mount applications.
- RL2LED-2 utilizes maintenance-free nickel cadmium batteries while the RL2LED-4 utilizes nickel metal hydride batteries.
- UL listed for a minimum 90 minute run-time.
- All units are suitable for use in damp locations.
- Self-diagnostics are available if the options is selected.
- 120/277 VAC with field selectable inputs.
- Brownout sensing ensures emergency operation during periods of low line voltage.
- If LW accessory is selected the unit can utilized in NEMA 4X/IP65 (wet location) applications.

NOTE

- Black is only available on SD units, and SD is only available on RL2LED4.



CLICK THE IMAGE TO VIEW ALTERNATE PRODUCT PHOTOS

Only available with Adobe Acrobat and Acrobat Reader

ORDERING INFORMATION *RL2LED-2-WH-MBC*

RL2LED-2-WH-MBC	RL2LED Reliance Series Compact LED Emergency Light, 2W, White, Back/Ceiling Mount
RL2LED-4-WH-MBC	RL2LED Reliance Series Compact LED Emergency Light, 2W LED w/ Remote Capacity, White, Back/Ceiling Mount
RL2LED-4-WH-MBC-SD	RL2LED Reliance Series Compact LED Emergency Light, 2W LED w/ Remote Capacity, White, Back/Ceiling Mount - Self-Diagnostic
RL2LED-4-BK-MBC-SD	RL2LED Reliance Series Compact LED Emergency Light, 2W LED w/ Remote Capacity, Black, Back/Ceiling Mount - Self-Diagnostic

ACCESSORIES; ORDER SEPARATELY

- **LW** = Wet location (NEMA 4X/IP65)
- **WG-16.5LX14.0WX6.0D** = Wireguard, Length: 16.5", Width: 14", Depth: 6"
- **WG-20.0LX19.0WX9.0D** = Wireguard, Length: 20", Width: 19", Depth: 9"
- **WG-26.0LX19.0WX9.0D** = Wireguard, Length: 26", Width: 19", Depth: 9"

SPECIFICATIONS

CONSTRUCTION

- ABS injection-molded thermoplastic that is UV stabilized and UL94V-O Flame retardant.

OVERALL SIZE

- 7.3125" X 4.0625"

TEMPERATURE RATING

- From 10°F to 40°F

APPROVALS

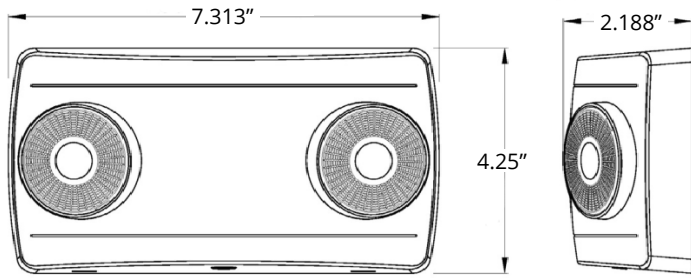
- UL 924
- NFPA 101 Life Safety Code
- NFPA 70-NEC
- OSHA
- CEC Title 20 Compliant

WARRANTY

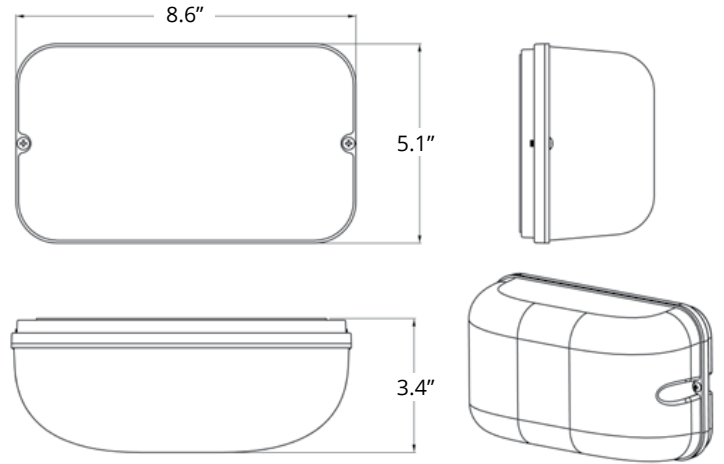
Isolite offers a 3-year limited warranty. For further details, refer to General Warranty and Obligations in the Isolite manual or on our website. Lamps not warranted.

DIMENSIONS

RL2LED



NEMA 4X/IP65 COVER



SPACING DIAGRAM

Mounting height is 8' reflectance of 80-50-20

