

# RMR-16-65/125

## MR-16 REMOTE CAPABLE THERMOPLASTIC EMERGENCY UNIT



### STANDARD



### OPTIONAL



### ILLUMINATION

- Two fully adjustable ultra bright, 12.0 watt, MR-16 halogen lamp heads standard.
- High performance MR16 halogen lamps with smooth metallized reflector and glass lens for optimal light distribution.

### ELECTRICAL

- Dual 120/277 voltage.
- Charge rate/power "ON" LED indicator light and push-to-test switch for mandated code compliance testing.
- LVD (low voltage disconnect) prevents battery from deep discharge.
- 6V maintenance-free, rechargeable sealed lead acid battery.
- Offers 26W of remote capacity (6V/12V DC output) when using standard 12W halogen lamps and 43W of remote capacity (6V/12V DC output) when using optional 3.3W LED lamps.
- Internal solid-state transfer switch automatically connects the internal battery to lamp heads for minimum 90-minute emergency illumination.
- Fully automatic solid-state, two rate charger initiates battery charging to recharge a discharged battery in 24 hours.

### MOUNTING

- Universal knockout pattern on back plate for wall mount. Snaps into place making internal electrical connections.
- Conduit mount knockout on top of housing and backplate.

### HOUSING

- Injection-molded, engineering grade, 5VA flame retardant, high-impact resistant, thermoplastic in white or black finish.

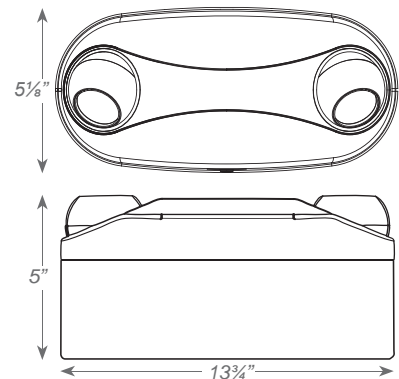
### OPTIONS

- LED: 3.3W high performance MR-16 base LED lamps for increased center-to-center spacing.
- PLED: 5.0W high performance MR-16 base LED lamps for premium center-to-center spacing

### WARRANTY / LISTING

- Five year warranty on all electronics and housing. Battery prorated for two years.
- Meets UL924, NFPA 101 Life Safety Code, NEC, OSHA, Local and State Codes.
- UL Listed for damp locations (20°C – 40°C).

### DIMENSIONS



### ORDERING INFORMATION

Special voltage options available. Check with your Best Lighting representative.

MODEL	HOUSING COLOR	OPTIONS
RMR-16-65 (6 Volt)	(blank) White	LED 3.3W High Lumen White LED Lamps
RMR-16-125 (12 Volt)	B Black	PLED 5.0W High Lumen White LED Lamps <sup>1</sup>

<sup>1</sup> Not available with SDT option.

Sample Part Number: RMR-16-65

[www.emergency-lighting.com](http://www.emergency-lighting.com)

UNIT EQUIPMENT

RMR-16-65/125