

SCALA

LED | WET | IP65 | IK05



STAIRWELL LED

- **SCALA** is DesignLights Consortium® qualified for Stairwell and Passageway Luminaires.
- **SCALA** is designed to meet all stairwell lighting requirements while providing an energy saving solution.
- **DIFFUSER:** Frosted UV stabilized polycarbonate diffuser, providing even light distribution.
- **SMART TECHNOLOGY:** The **SCALA** incorporates bi-level dimming controlled by a passive infrared sensor to provide safe and dependable illumination during occupied times while adjusting levels down when unoccupied.
- **LUMENS:** **LO:** 3585 up to 3796 lm
HO: 5975 up to 6327 lm
- **OPERATING TEMP:**
HT (AC Only) -40°F to 104°F (-40°C to 40°C)
SA (AC & Emergency) 32°F to 104°F (0°C to 40°C)
- **WEIGHT:** 5 lbs. / 2.27 kg



APPLICATION: The **SCALA** is a perfect solution for stairwells and other low-occupancy areas such as storage facilities, restrooms, corridors, laundry rooms, and maintenance areas.

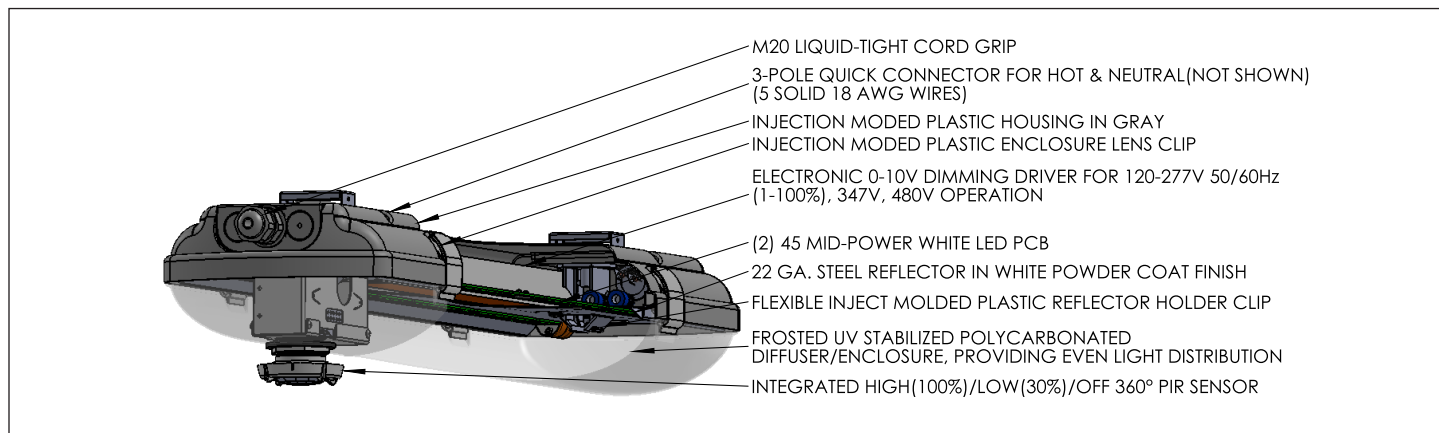
CONFIGURATIONS

MODEL	LENGTH	OPERATION	OUTPUT	COLOR TEMP	INPUT	MOUNTING	OPTIONS
SCA	2 (ft)	HT (AC only)	LO	WT35 (3500K)	120-277V	SM ² (surface mount)	SS (stainless steel clips)
		SA (AC & EM) ¹	HO	WT40 (4000K)	347V	AC ³ (aviation cable)	FP (fuse protection - 3A)
				WT50 (5000K)	480V	SPK ⁴ (single pendant kit)	TPS ⁸ (tamper proof screws)
						SVLSPK ⁴ (swivel single pendant kit)	TPB (tamper proof under driver bit)
						SVLDPK ⁴ (swivel double pendant kit)	SP (surge protection - 10KA)
						DPK ⁴ (double pendant kit)	B ⁹ (black housing)
						CH ⁴ (chain hang kit)	W ¹⁰ (white housing)
						TM ⁴ (trunion mount)	D (dali)
						PM (pivot mount)	FA ¹¹ (fully assembled)
						JM ⁵ (junction mount)	
						MM ⁶ (magnet mount)	
						QMB ⁷ (quick mount bracket)	

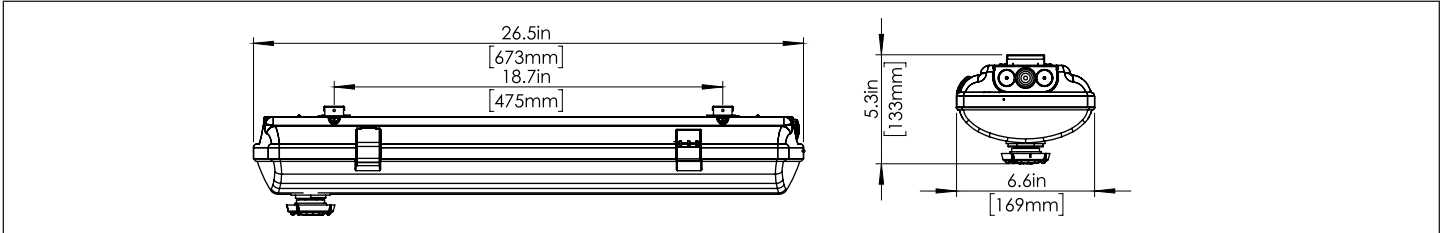
NOTE 1: Title 20 field installation emergency pack 120-277V; 10W; 1107 lm.
 NOTE 2: Surface mount is standard.
 NOTE 3: Specify length for AC: 50", 72", 100", 150", 250" fully adjustable.
 NOTE 4: SPK, DPK, CH, TM, & SVLSPK options must specify length.
 NOTE 5: JM option - the unit is no longer wet location, but damp location.
 NOTE 6: Magnetic mounts must be installed to steel beam measuring minimum 3/16" (4.7mm) thick.

NOTE 7: QMB must be used with JM.
 NOTE 8: 18-8 stainless steel screws.
 NOTE 9: Does not require MOQ for 4ft.
 NOTE 10: Contact factory.
 NOTE 11: Includes latches and grommets installed at the factory. Can be combined with the JM option.

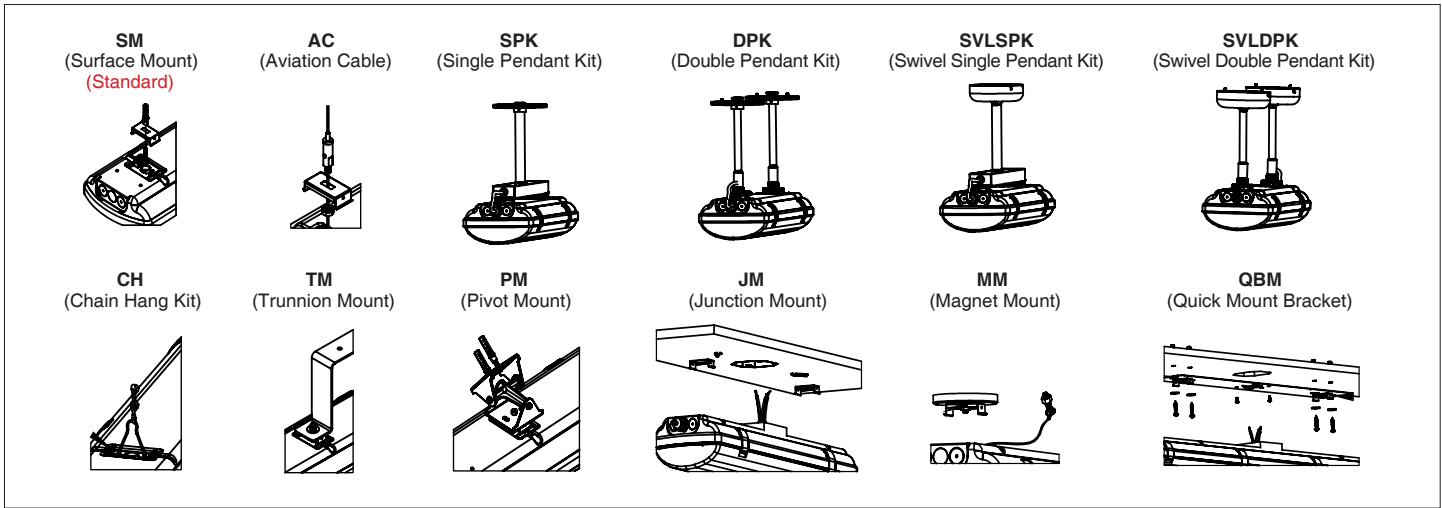
TECHNICAL INFORMATION



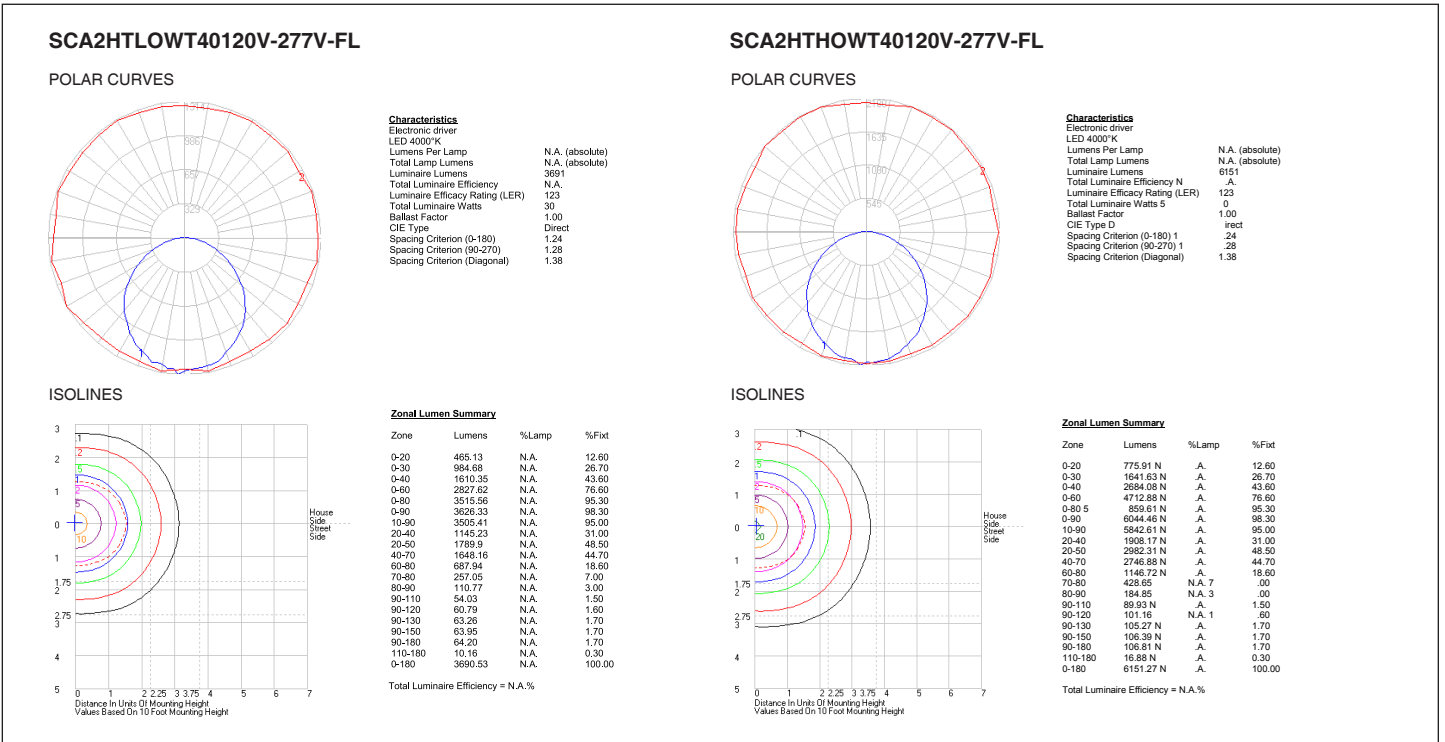
DIMENSIONS



MOUNTING OPTIONS



PHOTOMETRICS



SCALA

ADDITIONAL INFORMATION

ENERGY CHART

MODEL	LENGTH	EFFICACY	CONSUMPTION WATTAGE	LUMEN OUTPUT	CRI	L70 (hrs.)	L85 (hrs.)
SCA-2HT-LO-WT35-120-277V	2 ft	120 lm/W	30	3585	>80	>60,000	>50,000
SCA-2HT-LO-WT40-120-277V	2 ft	123 lm/W	30	3691	>80	>60,000	>50,000
SCA-2HT-LO-WT50-120-277V	2 ft	127 lm/W	30	3796	>80	>60,000	>50,000
SCA-2HT-HO-WT35-120-277V	2 ft	119 lm/W	50	5975	>80	>60,000	>50,000
SCA-2HT-HO-WT40-120-277V	2 ft	123 lm/W	50	6151	>80	>60,000	>50,000
SCA-2HT-HO-WT50-120-277V	2 ft	127 lm/W	50	6327	>80	>60,000	>50,000

ELECTRICAL RATING

PRODUCT	NOMINAL POWER (W)	AC CURRENT (A)		FREQUENCY (HZ)	DC VOLTAGE (V)	DC CURRENT (MA)
		120V	277V			
SCA-2HT-LO	30	0.26	0.12	50/60	44	600
SCA-2HT-HO	50	0.43	0.18	50/60	45	1000

DIMMER COMPATIBILITY

DIMMER	COMPATABILITY	
	ON / OFF	DIMMING
LEVITON - AWRMG - 7	YES	YES
LUTRON - DIVA - DVSTV	YES	YES
LUTRON - DIVE - DVTV	YES	YES
WATT STOPPER - DCLV1	YES	YES

■ **WARRANTY:** 5 years, see website for full warranty details.