

DESCRIPTION

The Sure-Lites emergency series (SEL) is a UL 924 code compliant LED solution that provides from 25 feet to 60 feet of emergency egress coverage for a minimum of 90 minutes during a power outage. Key features include a polycarbonate housing, long life LED source, a no maintenance nickel cadmium battery, proprietary adjustable accuLED optics, and a labor savings self-diagnostic option that automatically performs required NFPA testing. Remote capable options providing from 4 watts to 10 watts are available which can power the SRP/SRM/SRPA remotes providing maximum design flexibility for both indoor and outdoor applications. The Patented external battery disconnect and easy hang features reduce installation time and cost.

SPECIFICATION FEATURES

ELECTRICAL

- Dual Voltage Input 120/277 VAC, 60Hz
- External Battery Disconnect
- Brownout circuit
- Low-voltage disconnect
- Overload / Short Circuit protection
- 4.8V Battery back-up
- Self-diagnostic option
- Laser test capability (self-diagnostic option)

HOUSING CONSTRUCTION

- Components injection molded, color stable, high impact polycarbonate
- White or black textured finish
- Black only available with self-diagnostic
- EZ Hang feature facilitates fast installation
- Suitable for ceiling, pendant or wall mount applications
- Universal J-box mounting pattern
- Keyhole mounting slots
- Aesthetically designed with thin profile
- Heads available in circular or square shape for SEL25 and SEL50

BATTERY

- Sealed Nickel Cadmium
- Full Recharge Time, 24 hours (max.)
- 0° to 40 °C (32 °F to 104 °F)

WARRANTY

- Five-year warranty
- Prorated five-year battery warranty

CODE COMPLIANCE

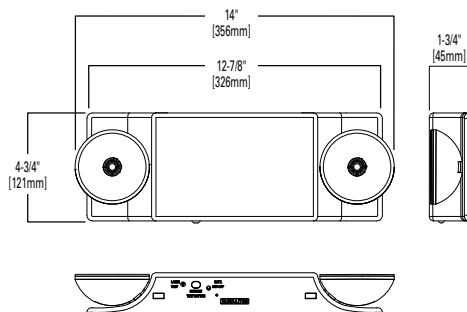
- UL924 Listed
- Damp Location
- Life Safety NFPA 101
- NEC/OSHA
- Most State & Local Codes
- California Energy Code

HOW TO SPECIFY

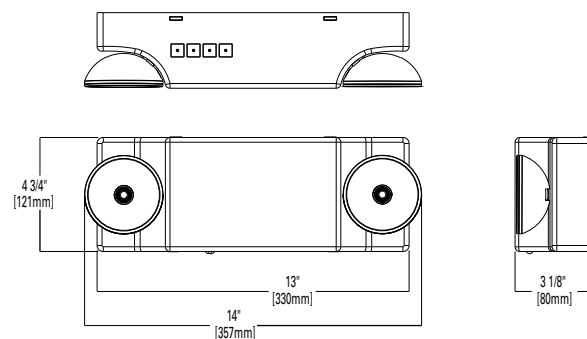
Sure-lites LED emergency light with nickel cadmium battery, external battery disconnect, and adjustable optics.

DIMENSIONS

SEL25/SEL25SD/SEL50/SEL50SD



SEL25R10/SEL50R7/SEL60R4



Catalog #		Type
Project		
Comments		Date
Prepared by		



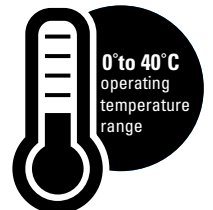
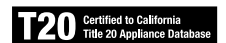
SEL25/SEL50/SEL60

SEL Emergency Light

LED Emergency Light
Adjustable Optic
Self-Diagnostics

SEL

Remote Capacity



LUMEN OUTPUT

Model	Lumens / Head
SEL25	109
SEL50	219
SEL60	309

CATALOG LOGIC FOR NON-REMOTE CAPABLE VERSIONS

SAMPLE NUMBER: SEL25, SEL50

Series	Coverage	Battery	Color	Self-Diagnostic	Head Shape	Full Catalog Options
SEL = LED Emergency Light	25 = 25 feet 50 = 50 feet	__ = NiCad	__ = White	__ = No Self-Diagnostic SD = Self-Diagnostic	__ = Circular SQ = Square	SEL25, SEL25SQ, SEL25SD, SEL25SDSQ, SEL50, SEL50SQ, SEL50SD, SEL50SDSQ
SEL = LED Emergency Light	25 = 25 feet	__ = NiCad	BK = Black	SD = Self-Diagnostic (standard)	__ = Circular SQ = Square	SEL25BKSD, SEL25BKSDSQ
SEL = LED Emergency Light	50 = 50 feet	__ = NiCad	BK = Black	SD = Self-Diagnostic (standard)	__ = Circular	SEL50BKSD

CATALOG LOGIC FOR REMOTE CAPABLE VERSIONS

SAMPLE NUMBER: SEL25R10, SEL50R7, SEL60R4

Series	Spacing	Battery	Remote Capacity	Color	Self-Diagnostic	Full Catalog Options
SEL = LED Emergency Light	25 = 25 feet	__ = NiCad	R10 = 10 watts	__ = White BK = Black	SD = Self-Diagnostic (standard)	SEL25R10SD SEL25R10BKSD
SEL = LED Emergency Light	50 = 50 feet	__ = NiCad	R7 = 7 watts	__ = White BK = Black	SD = Self-Diagnostic (standard)	SEL50R7SD SEL50R7BKSD
SEL = LED Emergency Light	60 = 60 feet	__ = NiCad	R4 = 4 watts	__ = White	__ = No SD SD = Self-Diagnostic	SEL60R4 SEL60R4SD
SEL = LED Emergency Light	60 = 60 feet	__ = NiCad	R4 = 4 watts	BK = Black	SD = Self-Diagnostic (standard)	SEL60R4BKSD

Emergency Egress Coverage; fixture spacing

Catalog Number	Output Lumens	0.1fc minimum		1fc minimum	
		7.5 foot height	20 foot height	7.5 foot height	20 foot height
SEL25	108	25 feet	12 feet	14 feet	12 feet
SEL50	218	50 feet	30 feet	21 feet	20 feet
SEL60	309	60 feet	52 feet	24 feet	30 feet

ELECTRICAL CHARACTERISTICS DURING CHARGING MODE

SEL25 / SEL50 / SEL60

Model	120 volt			277 volt		
	Power (W)	Current (A)	PF	Power (W)	Current (A)	PF
SEL25	0.6	0.07	0.06	0.64	0.07	0.03
SEL25SD	0.6	0.07	0.07	0.67	0.07	
SEL50	1.0	0.15	0.05	1.02	0.14	
SEL50SD	1.2	0.15	0.06	1.19	0.14	
SEL60R4	1.7	0.25	0.06	1.62	0.21	
SEL60R4SD	2	0.3	0.07	1.8	0.2	
SEL25R10SD	2	0.3	0.07	1.8	0.2	
SEL50R7SD	2	0.3	0.07	1.8	0.2	

REMOTE SYSTEM DESIGN GUIDELINES

SEL25/SEL50/SEL60

SEL Series Remote								
		Single Head Remotes				Double Head Remotes		
SRPA		SRP13/SRM13	SRP25/SRM25	SRP30/SRM30	SRP25D/SRM25D	SRP50D/SRM50D	SRP60D/SRM60D	
Watts Consumed		3.5	1.25	2.5	4.1	2.5	5	8.2
Catalog Number	Remote Watts Available	# of SRPA Remotes Fixture Will Power	# of SRP/SRM13 Remotes Fixture Will Power	# of SRP/SRM25 Remotes Fixture Will Power	# of SRP/SRM30 Remotes Fixture Will Power	# of SRP25D/SRM25D Remotes Fixture Will Power	# of SRP50D/SRM50D Remotes Fixture Will Power	# of SRP60D/SRM60D Remotes Fixture Will Power
SEL60R4	4	1	3	1	NA	1	NA	NA
SEL60R4SD	4	1	3	1	NA	1	NA	NA
SEL60R4BKSD	4	1	3	1	NA	1	NA	NA
SEL60R4BK	4	1	3	1	NA	1	NA	NA
SEL25R10	10	2	8	4	2	4	2	1
SEL25R10BK	10	2	8	4	2	4	2	1
SEL50R7SD	7	2	5	2	1	2	1	NA
SEL50R7BKSD	7	2	5	2	1	2	1	NA
SEL50R7	7	2	5	2	1	2	1	NA
SEL50R7BK	7	2	5	2	1	2	1	NA
SEL25R10SD	10	2	8	4	2	4	2	1
SEL25R10BKSD	10	2	8	4	2	4	2	1



SRP



SRPD



SRM



SRMD



SRPA WHITE



SRPA BLACK



SRPA BRONZE



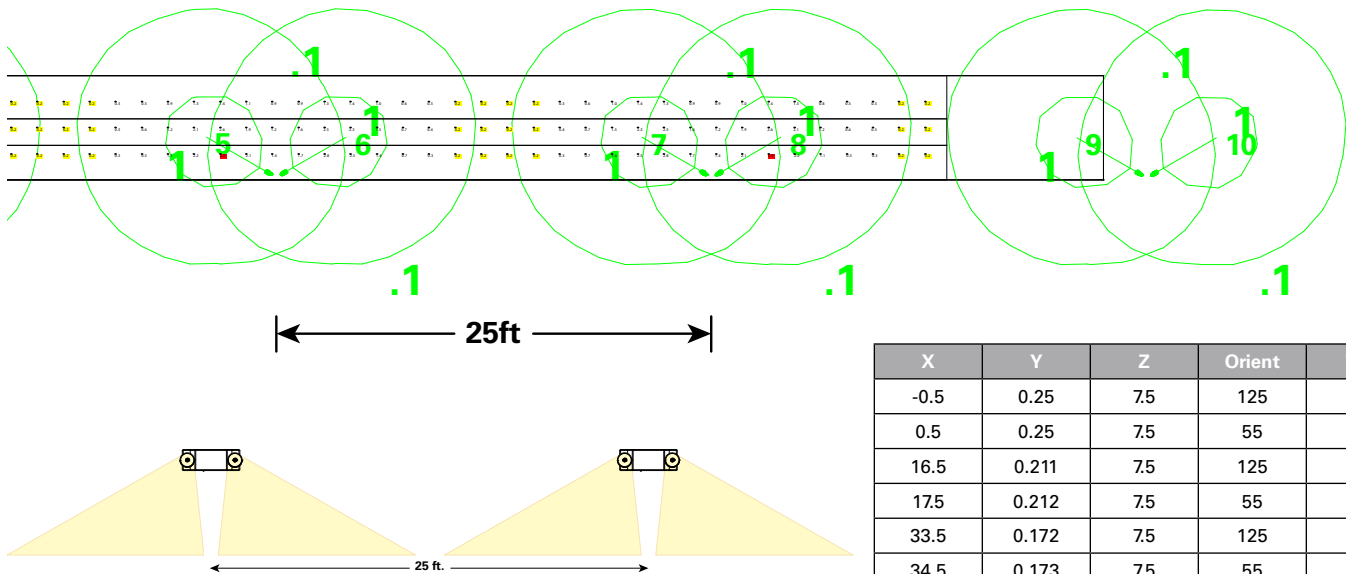
SRPA SILVER

REMOTE SYSTEM DESIGN GUIDELINES

LEM Series Remote Wattage Consumption					
Catalog Number	Single Head Remotes		Double Head Remotes		Watts Consumed
	LEMW1	LEMWR1	LEMW2	LEMWR2	
	LEMW1	LEMWR1	LEMW2	LEMWR2	
	1.4	1.4	2.8	2.8	
LEM Series Remote Capacity					
Catalog Number	Remote Watts Available	# of LEMW1 Remotes Fixture Will Power	# of LEMWR1 Remotes Fixture Will Power	# of LEMW2 Remotes Fixture Will Power	# of LEMWR2 Remotes Fixture Will Power
SEL25R10SD	10	7	7	3	3
SEL25R10BKSD	10	7	7	3	3
SEL50R7SD	7	5	5	2	2
SEL50R7BKSD	7	5	5	2	2
SEL60R4	4	2	2	1	1
SEL60R4SD	4	2	2	1	1
SEL60R4BKSD	4	2	2	1	1

PHOTOMETRY

SEL25

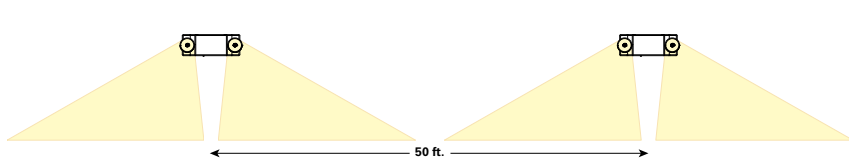
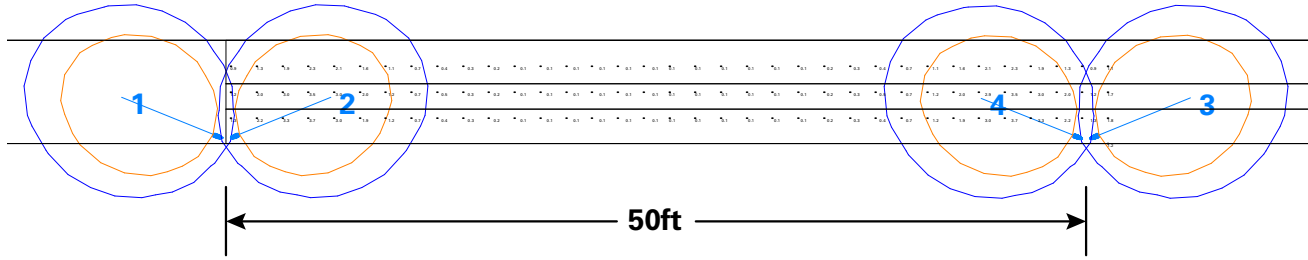


X	Y	Z	Orient	Tilt
-0.5	0.25	7.5	125	27
0.5	0.25	7.5	55	27
16.5	0.211	7.5	125	27
17.5	0.212	7.5	55	27
33.5	0.172	7.5	125	27
34.5	0.173	7.5	55	27
50.5	0.132	7.5	125	27
51.5	0.135	7.5	55	27
67.5	0.093	7.5	125	27
68.5	0.096	7.5	55	27
84.5	0.054	7.5	125	27
85.5	0.058	7.5	55	27
101.5	0.015	7.5	125	27
102.5	0.019	7.5	55	27

***The "Rule of Thumb" spacing guidelines are designed to achieve 1 foot-candle average and 0.1 foot-candle minimum with a 40:1 maximum/minimum ratio. The corridor used is 100 feet long, 9 foot ceiling with a 6 foot wide walkway and 3 foot path of egress. The reflectances are 80% ceiling, 50% walls and 20% floors. The fixture mounting height is 7.5 feet. Cooper Lighting Solutions assumes no responsibility for local requirements or specific project variables. This is a guideline to be used as a design aid, not as guarantee of any code compliance.

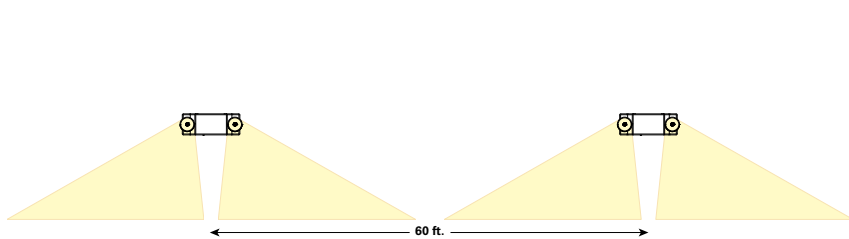
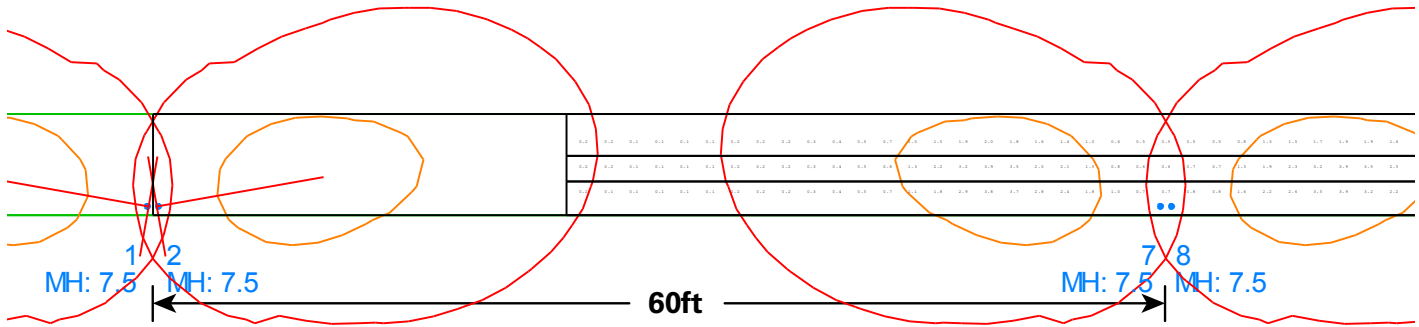
PHOTOMETRY

SEL50



X	Y	Z	Orient	Tilt
24.25	0.33	7.5	158	40
24.75	0.33	7.5	22	40
74.75	0.3	7.5	22	40
74.25	0.292	7.5	158	40

SEL60



X	Y	Z	Orient	Tilt
-0.25	0.5	7.5	170	57
0.25	0.5	7.5	10	57
120.25	0.5	7.5	10	57
119.75	0.5	7.5	170	57
59.75	0.5	7.5	170	57
60.25	0.5	7.5	10	57
180.25	0.5	7.5	10	57
179.75	0.5	7.5	170	57

***The "Rule of Thumb" spacing guidelines are designed to achieve 1 foot-candle average and 0.1 foot-candle minimum with a 40:1 maximum/minimum ratio. The corridor used is 100 feet long, 9 foot ceiling with a 6 foot wide walkway and 3 foot path of egress. The reflectances are 80% ceiling, 50% walls and 20% floors. The fixture mounting height is 7.5 feet. Cooper Lighting Solutions assumes no responsibility for local requirements or specific project variables. This is a guideline to be used as a design aid, not as guarantee of any code compliance.

TECHNICAL DATA

Mechanical Housing

All components are injection molded with a color stable, high impact thermoplastic resin. The surface is textured to improve aesthetic appearance. The housing construction is designed with snap-fit components and reinforcement ribs to provide maximum strength at minimum installation effort. The mounting hole pattern is universal to junction box requirements and is suitable for both wall and ceiling mount applications.

EZ Key – External Power Disconnect

Prevents the battery from cycling during the construction phase and ensures battery is not drained from power cycling.

EZ Hang – Mounting Feature

The hands-free EZ Hang feature allows the installer to hang the emergency light face from the back plate in order to easily and efficiently make the power connections.

Self-Diagnostics

The self-diagnostic software will automatically perform all tests required by UL924, and NFPA101 and will systematically calibrate itself in the field; thus reducing installation labor and eliminating manual calibration errors. The system indicates the status of the emergency light at all times using the LED indicator. A 90 minute battery power (emergency mode) simulation test will occur once every 12 months. A 30 second battery power simulation test will occur every 30 days.

The Solid-State microprocessor based system has the ability to accurately detect and warn of system failures, plus it incorporates all of the standard electronic features that sets Sure-Lites apart from its competition.

Low-Voltage Disconnect

The low-voltage circuitry disconnects the lighting load to protect the battery after run times in excess of the 90 minute UL limit. The disconnect remains in effect until normal utility power is restored preventing deep battery discharge.

Brownout Circuit

The brownout circuit on the SEL emergency light monitors the flow of AC current to the unit and activates the emergency light heads when a predetermined reduction of AC power occurs.

Warranty

SEL units are backed by a five-year warranty on the fixtures.



EZ Key



EZ Hang

SELF-DIAGNOSTIC TESTING OPERATIONS

The Sure-Lites Self-Diagnostics is continuously monitoring your emergency fixture, and will signal any failure through the 3 color indicator LED.

Initial Operation:

When the unit is first powered up it will go into a 24 hour fast charge and the indicator LED will pulse green. Once the unit has fully charged it will perform a self calibration. After self calibration, the LED will change to steady green indicating the unit is fully charged and float charging the battery to maintain readiness.

Automatic Testing:

The unit will perform a battery capacity, lamp/LED, and charge circuit test every 30 days for 30 seconds. During this time, the indicator LED will change to a steady yellow. It will perform a full battery capacity (90 minute) test once per year. During this time, the indicator LED will change to a blinking yellow.

Manual Testing:

- 10 Second "Installation" test – Press and release the test button once during fast charge (blinking green) to initiate a 10 second quick test. The sign will switch to emergency mode for 10 seconds allowing the installer to verify proper installation of the unit, and the LED indicator will turn solid yellow.
- 30 Second Test - Press and release the test button once during float charge (steady green). The indicator LED will turn steady yellow to indicate the unit is performing a 30 second test of the batteries and lamps/LEDs.
- 90 Minute Test - Press and release the test button a second time during a 30 second test (steady yellow) to change to a 90 minute test. During this test, the LED indicator will change to blinking yellow, and the circuit will perform a full battery capacity, charge circuit, and LED test.
- Canceling Test – Press and release the test button during the 90 minute test (flashing yellow) to return the fixture to its original state (fast charge or float charge)

Laser Test:

The SEL SD products are equipped with a Laser Test function that allows the unit to be manually tested without the need to physically press the test button. Shining a laser pointer in the hole marked "LASER TEST" on the bottom of the unit has the same effect as a press and release of the test button.

Clearing Failure Codes:

- A battery failure (LED two blink red) can be cleared by replacing the battery. Disconnecting the battery and AC power, or performing a full 90 minute discharge will reset the error code, however, it will return if the battery is faulty
- Charge Circuit (LED three blink red) and lamp/LED failure (LED four blink red) will clear when the unit successfully passes a manual or automatic 30 second test.










SELF-DIAGNOSTIC TESTING OPERATIONS

Indicators:

- LED Off - No power to unit, emergency mode.
- LED Steady Green - Unit is fully charged and is float charging the battery to maintain readiness.
- LED Green Pulse - Unit is in a 24 hour fast charge of the battery.
- LED Two Blink Red - Battery has failed a capacity test, or the battery is disconnected. See "Clearing Failure Codes" above.
- LED Three Blink Red - Battery charge circuit has failed. See "Clearing Failure Codes" above.
- LED Four Blink Red - Lamps have burned out, or on an EXIT/Combo, 50% or more of the LEDs have failed. See "Clearing Failure Codes" above.
- LED Steady Yellow - 30 second test or 10 second quick test (Fast Charge only).
- LED Blinking Yellow - 90 minute test.

Maintenance:

None required. Replace the batteries as needed according to ambient conditions. However, we recommend that the equipment be tested regularly in accordance with local codes.

SURE-LITES SELF DIAGNOSTICS 	 OFF - EMERGENCY MODE / POWER OFF	 STEADY BLINK YELLOW - 90 MINUTE TEST
	 STEADY BLINK GREEN - FAST CHARGE	 2 BLINK RED - BATTERY FAILURE
	 STEADY GREEN - FULL / FLOAT CHARGE	 3 BLINK RED - CHARGE CIRCUIT FAILURE
	 STEADY YELLOW - QUICK TEST	 4 BLINK RED - LAMP / LED FAILURE