

DATE:	LOCATION:
TYPE:	PROJECT:
CATALOG #:	

SERS Series

DECORATIVE LOW-PROFILE CAST-ALUMINUM LED EXIT SIGN

FEATURES

- Fast, easy installation
- High-strength cast aluminum
- Long-life LED lamps
- Red or green letter models
- White, black and black or white with brushed face finishes
- Rigid, high impact acrylic letter panel
- AC On Indicator Light



RELATED PRODUCTS

- [SE Series - Cast Aluminum Exit Sign](#)
- [SEMR Series - Cast Aluminum Master/Remote LED Exit Sign Sets](#)

SPECIFICATIONS

APPLICATION

- The Sempra Recessed series is a compact, low profile, recessed exit sign
- Its two-part design includes exit and rough-in back box make for fast, easy installation
- It comes with red or green letters, break-out chevron directional arrows and a variety of colors including: textured white, white with brushed aluminum face, black or black with brushed aluminum face

CONSTRUCTION

- The Sempra Recessed mounting box is constructed of 18 gauge galvanized steel
- The exit housing is made of high-strength cast aluminum
- The diffuser is a 1/4" rigid acrylic plaque that provides high impact resistance

INSTALLATION

- The Sempra Recessed series uses a rough-in back box, designed to accommodate recessed installation of all models
- Back box installs by means of an adjustable mounting bar assembly which attaches directly to wall framing members
- The exit housing attaches directly to rough-in box assembly by means of four machine screws
- All internal DC wiring connections are made using mating plug-in connectors for ease of installation

ILLUMINATION

- The Sempra Recessed series provides bright, even illumination using 6, red or green, high output, LED's
- The lamp life is rated in excess of 20 years
- The Brightness Index and Illumination Uniformity Index exceed UL requirements

COMPLIANCES

- Listed to UL924 Damp Location Standard

WARRANTY

- Fixture: 5 year warranty
- Battery: 2 Years Full, 8 Years Pro-Rata
- See [HLI Standard Warranty](#) for additional information

KEY DATA	
Power Factor, Average	.8 (lagging)
Wattage Range	2.1-3.8W
Battery Type	Sealed Nickel Cadmium
Reported Life (Hours)	60,000
Input Current Range	120/277VAC, 60 Hz

DATE: _____ LOCATION: _____

TYPE: _____ PROJECT: _____

CATALOG #: _____

SERS Series

DECORATIVE LOW-PROFILE CAST-ALUMINUM LED EXIT SIGN

ORDERING GUIDE

Example: SERSGWE

CATALOG #

SERS		Letter Color	Finish	Operation	Self-Diagnostic	Options
SERS Decorative Low-Profile Cast-Aluminum Exit Sign	R Red	W White	Blank AC Only	Blank None	2C 2 Circuit Operation ^{2,5} FAP Fire alarm panel interface ^{1,3,5,7} FM Flasher module ^{1,5,7} AM Audible/Flasher module ^{1,5,7} LRBB Sign Assembly less rough-in back box ⁸ VTR Vandal/tamper resistant option ⁶	
	G Green	B Black	E Emergency	I Spectron® self-testing/self-diagnostic electronics ¹		
		WN White with brushed face				
		BN Black with brushed face				

Notes:

- 1 For use with emergency models only.
- 2 For use with AC models only
- 3 Operates with 24-Volt AC or DC fire alarm panels
- 4 For emergency illumination of sign from remote 6-24 VDC power sources
- 5 -AF, -FM and -FAP options may not be specified together
- 6 Provides polycarbonate face shield and tamper-proof screws. Meets UL listing requirements for floor proximity use
- 7 For use with Spectron® equipped models only
- 8 Allows ordering of rough-in back box separately for installation prior to sign shipment. Add -LRBB suffix to exit model number if RBB accessory is ordered separately

ELECTRONICS

A nickel-cadmium battery is supplied with master exits and comes with a solid state constant current type charger. Transfer to emergency operation is completely automatic upon failure of utility AC voltage. Units also have a built-in protection for transformer isolation, surge, transient and low voltage disconnect. Emergency operation shall be provided for a minimum of 90 minutes. Full battery recharge occurs in compliance with UL 924 specifications. A universal 120/277 VAC, 60Hz input transformer, test switch and long life AC pilot light are all provided standard. Exit signs must comply with all UL 924 and NFPA 101 Life Safety Code requirement.

POWER CONSUMPTION (120/277VAC)

Model	120VAC	277VAC
Red AC Only	2.6 watts	2.6 watts
Green AC Only	2.1 watts	2.1 watts
Red Emergency	3.8 watts	3.8 watts
Green Emergency	3.5 watts	3.5 watts

* Wattage figures include LED lamps, transformer and electronics power requirements. LED Lamp assemblies (red or green) consume less than 1 watt

STANDARD FEATURES INCLUDE

- High-strength cast aluminum construction
- Compact, low-profile style
- Red and Green letters
- Break out chevron directional arrows
- Wide range of options including vandal/tamper-proof

OPERATING TEMPERATURE RANGE

Standard: 68°F to 86°F (20°C to 30°C)

POWER FACTOR AVERAGE: .8 (lagging)

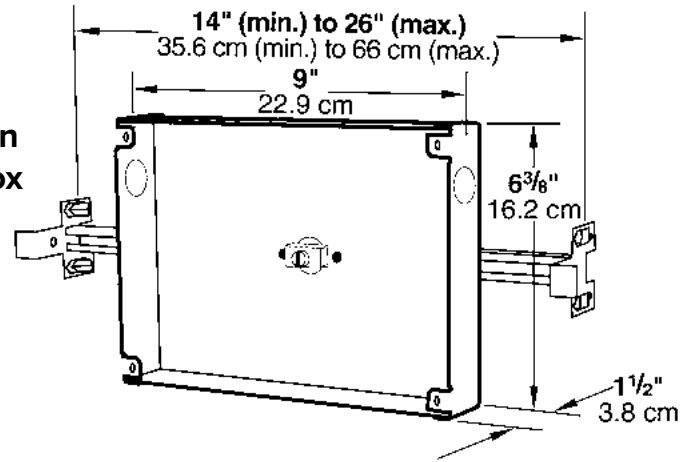
SERS Series

DECORATIVE LOW-PROFILE CAST-ALUMINUM LED EXIT SIGN

DIMENSIONS



Rough-In
Back Box



Sempra Exit shown attached to recessed back box assembly.