

PROJECT NAME:	APPROVED BY:	
CATALOG NO:	TYPE NO:	

# SOVEREIGN II - Custom Graphics

## LED Edgelit Exit Sign

*Sovereign sets new standards in architectural LED custom graphic signs. Subtle lines and gentle curves blend to create a classic "floating" edgelit appearance. Sovereign is sure to enhance its surrounding decor and to appease the discerning eye while conveying your chosen graphic.*

*Quality construction includes precision die cast aluminum housing with a unique, crystal clear laser formed acrylic light guide. The Sovereign utilizes the latest high efficiency light sources to provide vivid pronouncement of the legend with exceptional uniformity and is available in four mounting configurations to meet your application needs.*

*A recent addition to the Sovereign custom is the 'Phantom' legend illumination wherein the legend is virtually invisible when the fixture is off, Illuminating only when AC power is present. This method is ideal for warning signs where it is apparent the sign is "On" or "Off". The legend colors can be Red, Green or Blue, while the background is always White. For continuously illuminated signs the standard stencil legend version is recommended.*

### Construction

- "SU" Surface Universal mount option allows for field configurable surface mount to a standard j-box, and takes the guesswork out of surface mounting applications
- Light guide is "Last to Assemble" snap in for versatility and ease of installation
- Quality brushed aluminum sealed finish is standard, optional White, Black, Brass, Bronze painted finishes available to order
- Modular design provides ease of installation and matching configurations
- Low profile ceiling recessed housing is suitable for old or new work installations and is Type IC rated.
- Housing is provided with universal adjustable mounting brackets with quick fit retaining clips to suit most ceiling types.
- Pendant suspension mounting & specialty mounts available
- Slimline low profile surface mount canopy eliminates need for recessing back box in wall mounting applications

### Electrical

- Maintenance free LED light source with 25+ years life expectancy
- High intensity LED array provides exceptional energy efficiency with less than 3 watts power consumption.
- Electronic control circuit applies full wave, low ripple current to each LED thereby optimizing life and light output. A diagnostic self-compensating constant current charger circuit monitors the condition of the battery pack and indicates via a flashing LED when battery needs replacing
- Universal 120 or 277 VAC field selectable input. Other voltages are available to order. All versions feature fully integral electronic components



Surface Wall Mount with NEW Phantom Legend



Recessed Ceiling Mount



Surface Ceiling Mount



Surface End Mount



6" ISA

- Available in AC only operation (AC) or self contained battery back up (EM)models
- Self-Diagnostic Battery monitoring on all 'EM' models
- 3 Hour battery backup runtime with Premium long life high temperature fused Nickel Cadmium battery pack
- Circuitry includes - Zero current LVCO, Brownout sensing & Line-Latch

### Illumination

- Available with Phantom illumination (legend not visible in the off mode) or Stencil illumination for always visible legends and graphics
- White LED light source available for multi-color graphics
- Refractive light guide is engineered to optimize LED utilization and illumination uniformity

### Certification

- UL 924 Listed by Underwriters Laboratories and meets or exceeds all performance standards as required by NFPA 101, NFPA 70-NEC, and OSHA
- California Energy Commission (CEC) Title 20 Compliant

### Warranty

- 5 Year Limited Warranty



# Sovereign II Custom Graphics

## ORDERING GUIDE – SOVCGII

Example: SOVCGII-AC-01-6-R-1C-BA-RC

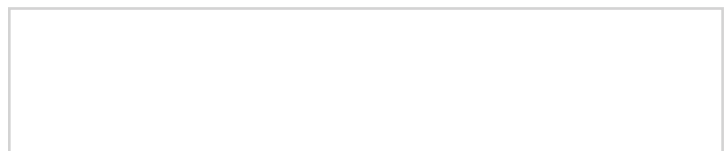
Model	Operation	Graphics/Image	Panel Size	Letter Color	No. of Faces/ Background	Illumination Method	Trim/Housing Color	Mounting	Options
SOVCGII	<b>AC</b> AC Only 120/277 VAC	<b>01</b> X-RAY IN USE <i>See page 4 for more options</i>	<b>6</b> 7" Overall Height	<b>R</b> Red	<b>1C</b> Single Face, Clear Background (standard)	<b>IL</b> Illuminated Legend Stencil	<b>BA</b> Brushed Aluminum (standard)	<b>Standard Mountings</b> <b>RC</b> Recessed Ceiling	<b>DK</b> Two Circuit Input - Specify Input Voltage (AC Models only)
	<b>EM</b> Battery Backup Emergency		<b>8</b> 9" Overall Height	<b>B</b> Blue <b>W</b> White <b>LC</b> Custom Letter Color	<b>1M</b> Single Face, Mirror Background	<b>PI*</b> Phantom Illumination Legend appears visible only when on			
		<b>AR</b> Right <b>AL</b> Left <b>CG</b> Specify Required Graphic At End			<b>1W</b> Single Face, White Background	<i>Note: PI option is only available with 1/2 W white panel</i>	<b>BK</b> Black Finish	<b>SW</b> Surface Wall	<b>IR</b> Self-Diagnostics with Infrared Remote Testing (EM models only)
				<b>2M</b> Double Face, Mirror Background (Mirror simulates clear background for double face exits)	<b>BR</b> Painted Brass		<b>SE</b> Surface End	<b>Optional Mountings</b> <b>SU</b> Surface Universal Mount	<b>TLRT</b> Infrared Hand Held Transmitter (order separately)
				<b>2W</b> Double Face, White Background	<b>BZ</b> Painted Bronze		<b>MU</b> Mullion Mount	<b>VA</b> Other Input Supply Voltage (consult factory)	
							<b>CC</b> Custom Color (specify)	<b>PA/PB</b> 12/24" Swivel Pendant	<b>F</b> Flash in Emergency Mode (EM Models) or continuous Flash in AC models
								<b>PC/PD</b> 36/48" Swivel Pendant	<b>FA</b> Flash in AC and Emergency mode on 12-24V (AC or DC) normally-off fire alarm signal (Available for AC and EM models)
								<b>PE/PF</b> 60/72" Swivel Pendant	<b>FB</b> FA Option including Buzzer
									<b>FZ</b> F Option including Buzzer
									<b>IN</b> Inverted Legend – Use with Mullion Mount
									<b>DL</b> Damp location listed
									<b>FT</b> Flat Trim for Recessed Ceiling Mount
									<b>FP</b> Flat Panel (no curve on panel bottom)
									<b>OW</b> Old Work Clips
SOVCGII									

Fill in fields from categories above and complete type and part number.

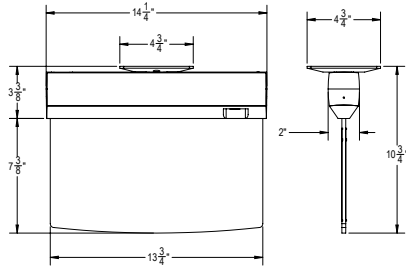
<b>Type Number:</b>	<b>Full Part Number:</b>
---------------------	--------------------------

**NOTE:** For signs requiring directional indicators, select C custom letter and specify graphic with chevron direction.

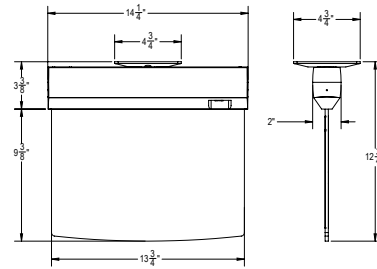
Power Consumption				
Type		Volts	Max	Power
<b>RED</b>	AC Only	120 / 277	1.5	.70
<b>RED</b>	Battery Backup	120 / 277	2.5	.70
<b>RED</b>	Battery Backup with Remote	120 / 277	3.0	.73
<b>GREEN</b>	AC Only	120 / 277	2.3	.70
<b>GREEN</b>	Battery Backup	120 / 277	3.0	.76
<b>GREEN</b>	Battery Backup with Remote	120 / 277	4.0	.81



# Sovereign II Custom Graphics

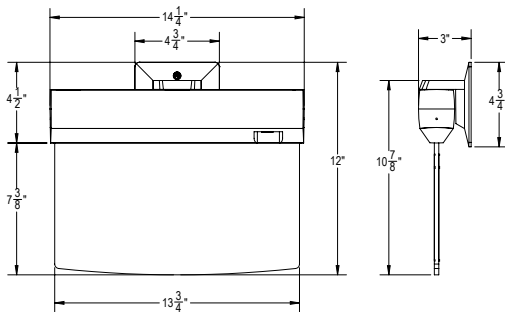


Surface Ceiling Mount 6"

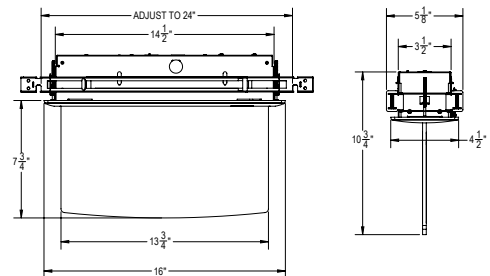


Surface Ceiling Mount 8"

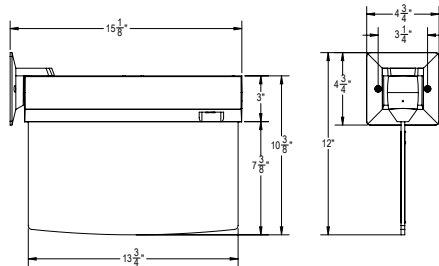
(SC) Surface Ceiling Mount



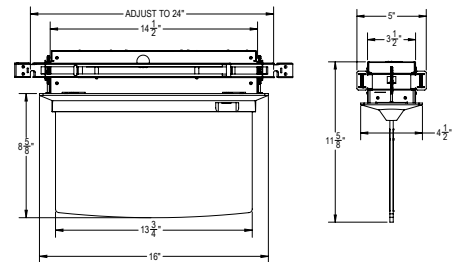
(SW) Surface Wall Mount



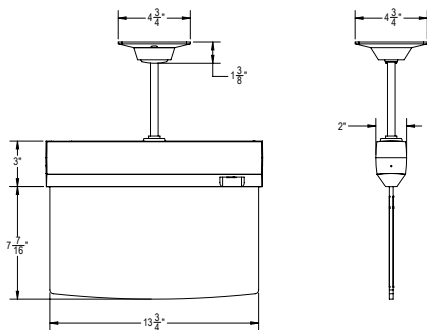
(RC) Accented Trim Recessed Ceiling Mount



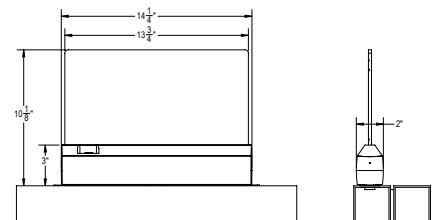
(SE) Surface End Mount



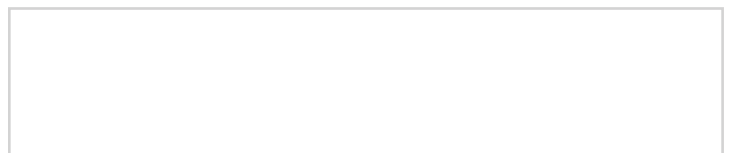
(RC FT) Flat Trim Recessed Ceiling Mount



(AP) Architectural Pendant Mount



(MM) Mullion Mount



# Sovereign Custom Graphics

**NOTE:** For signs requiring directional indicators, select C custom letter and specify graphic with chevron direction.

01 	02 	03 	04 	05 
06 	07 	08 	09 	10 
11 	12 	13 	14 	15 
16 	17 	18 	19 	20 
21 	22 	23 	24 	25 
26 	27 	28 	29 	30 
31 	32 	33 		

