

# SDM Stadium Luminaires



Project:	
Type:	
Catalog #:	

## STANDARD



## FEATURES

- Available in 3000k, 4000k, 5000k & 5700k color temperatures.\*
- Long-life LEDs provide at least 139,000 hours of operation with at least 70% of initial lumen output ( $L_{70}$ ).\*\*
- Available models provide 39,279 to 172,272 lumens, and 114 to 153 lumens per watt (LPW).
- Two photometric distributions are available: NEMA type 3x3 (77L, 98L, and 163L models), and NEMA type 5x5 (39L, 50L, & 64L models).
- Universal 120-277AC & 200-480 AC voltage (50-60Hz) are available.
- 2-meter AC power cords are standard. 25-meter AC power cords are optional.
- Power factor > 0.90.
- Total harmonic distortion < 20%.
- Color rendering index ( $R_a$ ) > 80 (39L, 50L & 64L models) or > 70 (77L, 98L, and 163L models).
- Visors and wall mounting bracket are standard. Rotating mounting bracket and laser aiming devices are accessories. Rotating bracket cannot be used with 77L, 98L, or 163L.
- Adjustable from 0° to 100° vertically, and from 0° to 120° horizontally.
- Cold forged aluminum housing with black, powder coat finish.
- High-impact, polycarbonate lens.
- Easy installation in new construction or retrofit applications.

## WARRANTY & LISTINGS

- cULus listed for wet locations in ambient temperatures from -40°C to 50°C (-40°F to 122°F).
- IP66 rated for ingress protection.
- Complies with FCC Part 15, class B.
- Complies with EN61000-4-2, surge immunity protection (2kV).
- Complies with RoHS (Restriction on Hazardous Substances) requirements.
- 5-year warranty of all electronics and housing.

\* Contact factory for other color temperatures and lumen packages.

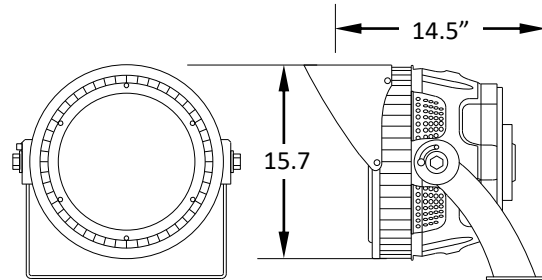
\*\* L70 hours are IES TM-21-11 calculated hours.



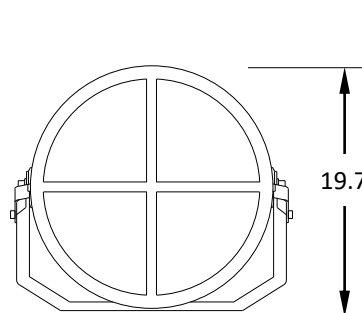
Shown with standard visor & wall mounting bracket

## DIMENSIONS

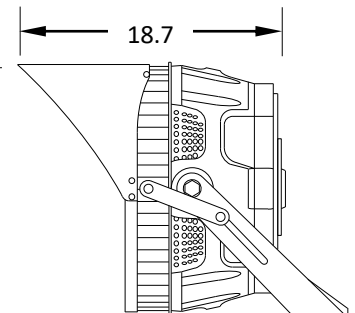
SDM-39L, SDM-50L, & SDM-64L Models  
(Weight: 36 lbs.)



SDM-77L & SDM-98L Models  
(Weight: 66 lbs.)



SDM-163L Model  
(Weight: 72 lbs.)



## ORDERING INFORMATION

Example: SDM-39L-3K-5X5

Series	Nominal Lumen Output	Color Temperature	Input Voltage	NEMA Distribution Type	Mounting Options	AC Power Cord Option	Accessories (Order Separately)
SDM	39L	39,000 lumens	3K	3000k	Blank	120-277V	3X3* 3 Horizontal x 3 Vertical 5X5* 5 Horizontal x 5 Vertical *Note: Type 3x3 distribution is available on 77L, 98L and 163L, and type 5x5 is available on 39L, 50L & 64L.
	50L	50,000 lumens	4K	4000k	UNC	200-480V	
	64L	64,000 lumens	5K	5000k			
	77L	77,000 lumens	57K	5700k			
	98L	98,000 lumens					
	163L	163,000 lumens					
					RMB	82C3	SDM-LAD
					Rotating Mounting Bracket	25-meter AC power cord - 3-conductor	Laser Aiming Device
					Blank	Blank	
					Standard Wall Bracket	Standard AC power cords	

# SDM Stadium Luminaires



## ELECTRICAL DATA

Model	Color Temp.	CRI <sup>1</sup>	Luminaire Lumens	Luminaire Watts	Lumens Per Watt	Input Voltage <sup>2</sup>	Input Current (A)			Power Factor	THD <sup>3</sup>	L <sub>70</sub> Hours <sup>4</sup>
							120V	240V	277V			
<b>120-277V Models</b>												
SDM-39L-3K-5X5	3000k	> 80	39,279	305	129	120-277	2.54	1.27	1.10	> 90%	< 20%	145,000
SDM-39L-4K-5X5	4000k	> 80	39,881	305	131	120-277	2.54	1.27	1.10	> 90%	< 20%	145,000
SDM-39L-5K-5X5	5000k	> 80	40,483	305	133	120-277	2.54	1.27	1.10	> 90%	< 20%	145,000
SDM-39L-57K-5X5	5700k	> 80	40,784	306	134	120-277	2.55	1.27	1.10	> 90%	< 20%	145,000
SDM-50L-3K-5X5	3000k	> 80	49,751	404	123	120-277	3.36	1.68	1.46	> 90%	< 20%	145,000
SDM-50L-4K-5X5	4000k	> 80	50,643	404	125	120-277	3.37	1.68	1.46	> 90%	< 20%	145,000
SDM-50L-5K-5X5	5000k	> 80	51,534	404	128	120-277	3.37	1.68	1.46	> 90%	< 20%	145,000
SDM-50L-57K-5X5	5700k	> 80	51,980	404	129	120-277	3.37	1.68	1.46	> 90%	< 20%	145,000
SDM-64L-3K-5X5	3000k	> 80	63,794	504	127	120-277	4.20	2.10	1.82	> 90%	< 20%	145,000
SDM-64L-4K-5X5	4000k	> 80	65,040	505	129	120-277	4.21	2.11	1.82	> 90%	< 20%	145,000
SDM-64L-5K-5X5	5000k	> 80	66,286	505	131	120-277	4.21	2.11	1.82	> 90%	< 20%	145,000
SDM-64L-57K-5X5	5700k	> 80	66,909	507	132	120-277	4.22	2.11	1.83	> 90%	< 20%	145,000
SDM-77L-3K-3X3	3000k	> 70	76,825	605	127	120-277	5.05	2.52	2.19	> 90%	< 20%	418,000
SDM-77L-4K-3X3	4000k	> 70	78,256	606	129	120-277	5.05	2.52	2.19	> 90%	< 20%	418,000
SDM-77L-5K-3X3	5000k	> 70	79,687	606	132	120-277	5.05	2.52	2.19	> 90%	< 20%	418,000
SDM-77L-57K-3X3	5700k	> 70	80,403	606	133	120-277	5.05	2.52	2.19	> 90%	< 20%	418,000
SDM-98L-3K-3X3	3000k	> 70	109,690	768	143	120-277	6.40	3.20	2.77	> 90%	< 20%	139,000
SDM-98L-4K-3X3	4000k	> 70	112,936	768	147	120-277	6.40	3.20	2.77	> 90%	< 20%	139,000
SDM-98L-5K-3X3	5000k	> 70	116,182	768	151	120-277	6.40	3.20	2.77	> 90%	< 20%	139,000
SDM-98L-57K-3X3	5700k	> 70	117,805	768	153	120-277	6.41	3.20	2.78	> 90%	< 20%	139,000
SDM-163L-3K-3X3	3000k	> 70	137,211	1,199	114	120-277	10.00	5.00	4.33	> 90%	< 20%	374,000
SDM-163L-4K-3X3	4000k	> 70	149,355	1,196	125	120-277	9.97	4.98	4.32	> 90%	< 20%	374,000
SDM-163L-5K-3X3	5000k	> 70	164,633	1,192	138	120-277	9.94	4.97	4.30	> 90%	< 20%	374,000
SDM-163L-57K-3X3	5700k	> 70	172,272	1,189	145	120-277	9.91	4.95	4.29	> 90%	< 20%	374,000
<b>200-480V Models</b>												
SDM-39L-3K-UNC-5X5	3000k	> 80	39,393	307	128	200-480	1.11	0.88	0.64	> 90%	< 20%	145,000
SDM-39L-4K-UNC-5X5	4000k	> 80	39,950	307	130	200-480	1.11	0.88	0.64	> 90%	< 20%	145,000
SDM-39L-5K-UNC-5X5	5000k	> 80	40,507	307	132	200-480	1.11	0.88	0.64	> 90%	< 20%	145,000
SDM-39L-57K-UNC-5X5	5700k	> 80	40,786	306	133	200-480	1.11	0.88	0.64	> 90%	< 20%	145,000
SDM-50L-3K-UNC-5X5	3000k	> 80	49,786	403	124	200-480	1.45	1.16	0.84	> 90%	< 20%	145,000
SDM-50L-4K-UNC-5X5	4000k	> 80	50,603	403	126	200-480	1.45	1.16	0.84	> 90%	< 20%	145,000
SDM-50L-5K-UNC-5X5	5000k	> 80	51,419	403	128	200-480	1.45	1.16	0.84	> 90%	< 20%	145,000
SDM-50L-57K-UNC-5X5	5700k	> 80	51,827	403	129	200-480	1.45	1.16	0.84	> 90%	< 20%	145,000
SDM-64L-3K-UNC-5X5	3000k	> 80	63,994	505	127	200-480	1.82	1.46	1.05	> 90%	< 20%	145,000
SDM-64L-4K-UNC-5X5	4000k	> 80	65,173	505	129	200-480	1.82	1.46	1.05	> 90%	< 20%	145,000
SDM-64L-5K-UNC-5X5	5000k	> 80	66,352	505	131	200-480	1.82	1.46	1.05	> 90%	< 20%	145,000
SDM-64L-57K-UNC-5X5	5700k	> 80	66,941	506	132	200-480	1.83	1.46	1.05	> 90%	< 20%	145,000
SDM-77L-3K-UNC-3X3	3000k	> 70	76,600	604	127	200-480	2.18	1.74	1.26	> 90%	< 20%	421,000
SDM-77L-4K-UNC-3X3	4000k	> 70	77,924	605	129	200-480	2.18	1.74	1.26	> 90%	< 20%	421,000
SDM-77L-5K-UNC-3X3	5000k	> 70	79,247	605	131	200-480	2.18	1.74	1.26	> 90%	< 20%	421,000
SDM-77L-57K-UNC-3X3	5700k	> 70	79,909	604	132	200-480	2.18	1.74	1.26	> 90%	< 20%	421,000
SDM-98L-3K-UNC-3X3	3000k	> 70	109,505	765	143	200-480	2.76	2.20	1.59	> 90%	< 20%	139,000
SDM-98L-4K-UNC-3X3	4000k	> 70	112,662	766	147	200-480	2.76	2.21	1.59	> 90%	< 20%	139,000
SDM-98L-5K-UNC-3X3	5000k	> 70	115,819	766	151	200-480	2.76	2.21	1.59	> 90%	< 20%	139,000
SDM-98L-57K-UNC-3X3	5700k	> 70	117,397	766	153	200-480	2.77	2.21	1.60	> 90%	< 20%	139,000
SDM-163L-3K-UNC-3X3	3000k	> 70	137,599	1,190	116	200-480	4.30	3.43	2.48	> 90%	< 20%	368,000
SDM-163L-4K-UNC-3X3	4000k	> 70	147,358	1,175	125	200-480	4.24	3.39	2.45	> 90%	< 20%	368,000
SDM-163L-5K-UNC-3X3	5000k	> 70	162,157	1,174	138	200-480	4.24	3.38	2.45	> 90%	< 20%	368,000
SDM-163L-57K-UNC-3X3	5700k	> 70	169,556	1,173	145	200-480	4.24	3.38	2.44	> 90%	< 20%	368,000

<sup>1</sup> Color rendering index.

<sup>2</sup> All 50-60Hz.

<sup>3</sup> Total harmonic distortion.

<sup>4</sup> L<sub>70</sub> refers to the number of hours at which lumen output declines to 70% of the initial level. L<sub>70</sub> hours are IES TM-21-11 calculated hours.