



SQ-80-LED Series

ALL LED THERMOPLASTIC EMERGENCY LIGHT



PROJECT: _____
 FIXTURE TYPE: _____
 LOCATION: _____
 CONTACT/PHONE: _____

PRODUCT DESCRIPTION

The SQ-80-LED Series thermoplastic LED Emergency Lights offer contemporary aesthetics, quick installation and premium options such as LED lamps, High Output and Self-Diagnostic versions in an economical package.

PRODUCT SPECIFICATIONS

CONSTRUCTION

Injection molded, engineering-grade, UV-stable thermoplastic • UL94V-0 flame rating • Impact, scratch, fade and corrosion-resistant • Snap-fit housing and mounting plate • Universal mounting plate with quick-connect feature reduces installation labor • White or black textured finish.

ELECTRICAL

Dual 120/277 voltage standard. Optional multi-tap 208/220/240 voltage available • Rated for use in damp locations • Solid state charging and switching • Brownout protection • Battery low voltage disconnect • Overload and short circuit protection • AC power indicator and test switch.

LAMPS

Long life, energy saving LED lamps • 1W (8 LEDs x 0.125 watt) per head

HEADS

Includes two 1W white LED lighting heads • Contemporary square head design • High performance chrome-plated metallized reflector and plastic lens for optimal light distribution • Adjustable LED lamp heads provide optimal center-to-center spacing. High-lumen option available for increased center-to-center spacing

BATTERY

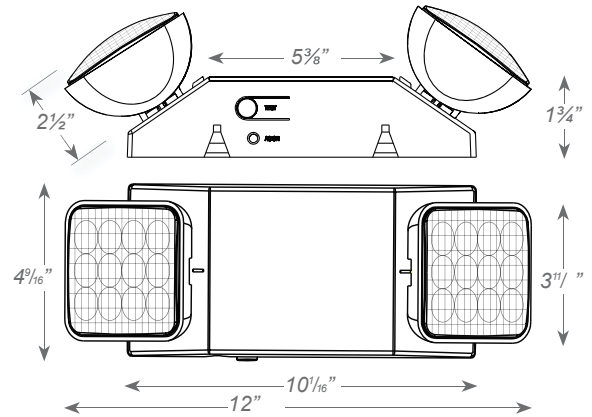
Maintenance-free 3.6V sealed NiCad battery • Standard battery will operate fixture for a minimum of 90 minutes in the event of a power outage • High Output (REM Option) version will operate the fixture plus 2 remote heads for a minimum of 90 minutes.

CODE COMPLIANCE

UL924 • UL Listed for damp locations (0°C – 50°C) • NFPA 101 Life Safety Code compliant • NEC and OSHA compliant • Meets the State of Minnesota energy efficiency requirements.

WARRANTY

5-year warranty. Product specifications subject to change without notice.



ENGINEERING DATA

Input Voltage	Max. Amps	Max. Watts
120	0.04	2.0
277	0.02	2.0

INSTALLATION

MOUNTING

Suitable for wall or ceiling mounting • Surface mount via easy connect back plate, which fits most standard junction boxes and snaps into place making internal electrical connections • Top and side knockout for conduit applications.



ORDERING INFORMATION

model	housing color	options	accessories
SQ-80-LED	W = White B = Black	SD = Self Diagnostics REM ¹ = Remote Capable HL ² = High Lumen Heads (1.5W) SV ³ = 208/220/240 Volt, 50/60Hz USA = Assembled in USA	VRS3 = Polycarbonate Vandal Shield WG-1 = Wire Guard

Notes

¹Additional capacity to run up to (2) RLED remote heads (see below)

²12-LED (1.5W) per head provides increased center-to-center spacing

³Not available on units with SD option

Ordering Example SQ-80-LED-W-SD



SQ-80-LED Series

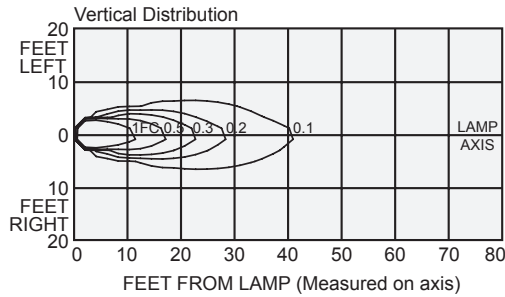
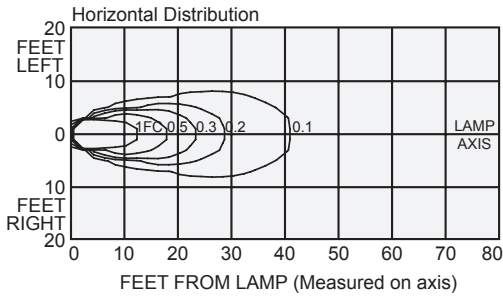
ALL LED THERMOPLASTIC EMERGENCY LIGHT



PROJECT: _____
 FIXTURE TYPE: _____
 LOCATION: _____
 CONTACT/PHONE: _____

PHOTOMETRICS

Luminaire SQ-80-LED (Single Head LED EM)



BATTERY DATA

- NiCad battery warranted for five full years with an additional 5 years prorated warranty

Type	Battery Voltage	Shelf Life ¹	Expected Life ¹	Temperature Range ²
NiCad (std.)	3.6V, 900mA	3 years	8-10 years	32°F-100°F
NiCad (REM)	3.6V, 1800mA	3 years	8-10 years	32°F-100°F

¹ At 77°F

² To obtain rated life and capacity.

LED REMOTE HEADS (ORDER SEPERATELY)

- Each lamp contains 12 long-life, efficient ultra-bright white LED's
- Available in Single or Double head configurations
- Indoor or Outdoor ratings available

MODEL	DESCRIPTION
ASRLED-1	Single LED Remote Indoor
ASRLED-2	Double LED Remote Indoor
ASRLED-1-SD	Single LED Remote Indoor (Units w/ SD Option)
ASRLED-2-SD	Double LED Remote Indoor (Units w/ SD Option)
ASRLED-1-WP	Single LED Remote Outdoor
ASRLED-2-WP	Double LED Remote Outdoor
ASRLED-1-WP-SD	Single LED Remote Outdoor (Units w/ SD Option)
ASRLED-2-WP-SD	Double LED Remote Outdoor (Units w/ SD Option)

OUTDOOR REMOTE HEADS



INDOOR REMOTE HEADS





SQ-80-LED Series

ALL LED THERMOPLASTIC EMERGENCY LIGHT

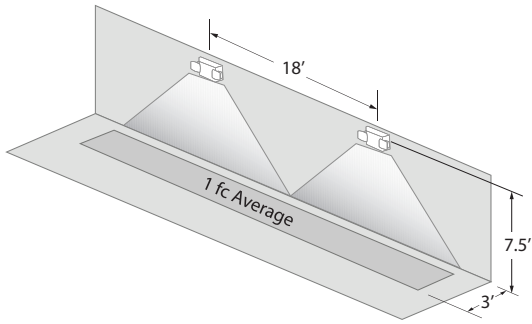


PROJECT: _____
FIXTURE TYPE: _____
LOCATION: _____
CONTACT/PHONE: _____

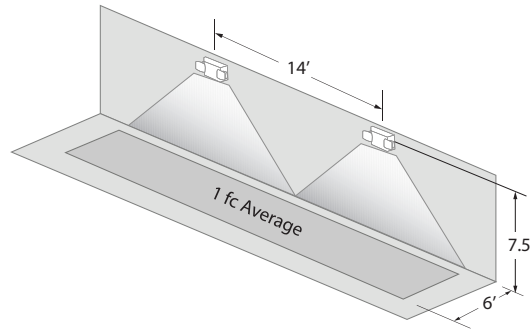
SPACING DIAGRAMS

SQ-80-LED

3ft Path Spacing

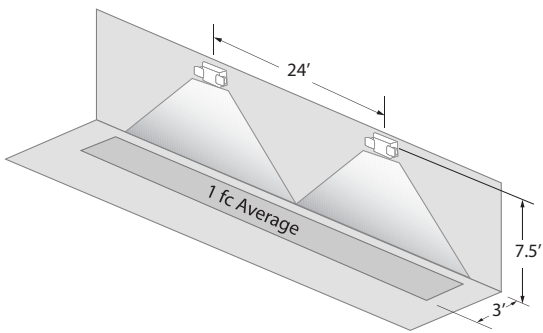


6ft Path Spacing



SQ-80-LED-HL

3ft Path Spacing



6ft Path Spacing

