



SQ-LED Series

ALL LED THERMOPLASTIC EMERGENCY LIGHT



PROJECT: _____
 FIXTURE TYPE: _____
 LOCATION: _____
 CONTACT/PHONE: _____

PRODUCT DESCRIPTION

The SQ-LED Series thermoplastic LED Emergency Light offers contemporary aesthetics, quick installation and premium features such as LED lamps, High Lumen Output and Self-Diagnostic versions all in an economical package.

PRODUCT SPECIFICATIONS

CONSTRUCTION

Injection molded, engineering-grade, UV-stable thermoplastic • UL94V-0 flame rating • Impact, scratch, fade and corrosion-resistant • Snap-fit housing and mounting plate • Universal mounting plate with quick-connect feature • White or black textured finish.

ELECTRICAL

Dual 120/277 voltage standard • Rated for use in damp locations • Solid state charging and switching • Brownout protection • Battery low voltage disconnect • Overload and short circuit protection • Low-profile, integrated test switch and AC indicator light.

LAMPS

Long life, energy saving LED lamps • 1W per head(8 LED's per head total)

HEADS

Includes two 1W white LED lighting heads • Contemporary semi-recessed round head design • High performance chrome-plated metallized reflector and plastic lens for optimal light distribution • Track-and-swivel arrangement permits full range of direction of lamp head adjustment • High-lumen option available for increased center-to-center spacing.

BATTERY

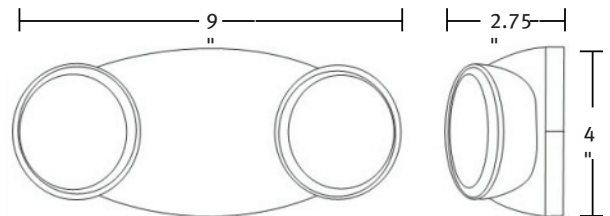
Maintenance-free sealed NiCad battery • Standard battery will operate fixture for a minimum of 90 minutes in the event of a power outage

CODE COMPLIANCE

UL924 • UL Listed for damp locations (0°C – 50°C) • NFPA 101 Life Safety Code compliant • NEC and OSHA compliant • Meets the State of Minnesota energy efficiency requirements.

WARRANTY

5-year warranty. Product specifications subject to change without notice.



ENGINEERING DATA

Input Voltage	Max. Amps	Max. Watts
120	0.04	2.0
277	0.02	2.0

INSTALLATION

MOUNTING

Suitable for wall or ceiling mounting • Surface mount via easy connect back plate, which fits most standard junction boxes and snaps into place making internal electrical connections



ORDERING INFORMATION

model	housing color	options	accessories
SQ-LED	W = White B = Black	SD = Self Diagnostics HL ¹ = High Lumen Heads (1.5W)	VRS3 = Polycarbonate Vandal Shield WG5 = Wire Guard

Notes

¹ 12-LED (1.5W) per head provides increased center-to-center spacing

Ordering Example SQ-LED-W-SD



SQ-LED Series

ALL LED THERMOPLASTIC EMERGENCY LIGHT

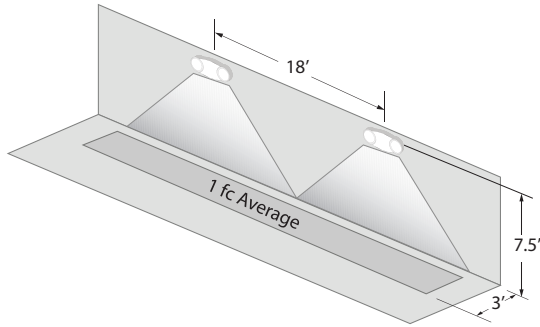


PROJECT: _____
FIXTURE TYPE: _____
LOCATION: _____
CONTACT/PHONE: _____

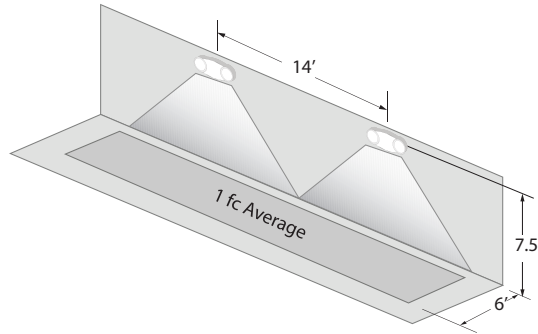
SPACING DIAGRAMS

SQ-LED

3FT PATH SPACING

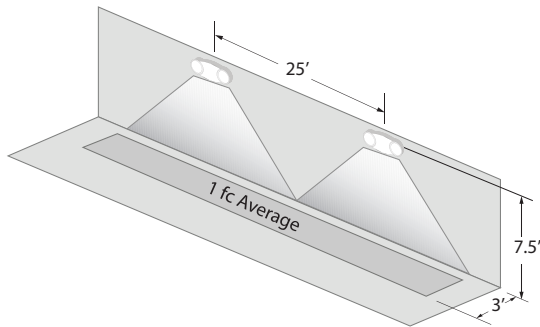


6FT PATH SPACING



SQ-LED-HL

3FT PATH SPACING



6FT PATH SPACING

