

The SR Series LED remote lamp utilizes performance optics and provides superior spacing. This lamp is compatible with RSL Emergency Units. The SR Series features an innovative rotary lock collar design that securely locks the lens and reflector assembly into place. The locking collar allows maintenance personnel to quickly and easily complete relamping. A tool-less mechanically adjustable swivel locks the head in position once adjusted. The matching mounting plate fits all standard junction boxes.

Model: _____ Date: _____
Accessories: _____
Job Name: _____ Type: _____

FEATURES & BENEFITS

- Compatible with **RSL Series** emergency lights
- Each fully-adjustable, high-intensity lamp head contains engineered refractors for maximum distribution
- Uniform lighting pattern provides optimal illumination over required path of egress
- High impact, injection-molded, high-temperature thermoplastic housing
- Available as remote or alternate head for RSL emergency units
- Mounting plate included
- Standard finish: Black or White (matches RSL enclosure)



CONSTRUCTION

The SR PAR 18 LED housing is constructed of high impact, injection molded, high-temperature thermoplastic housing in black or white finish.



ILLUMINATION

High-intensity lamp head contains LEDs with individual, engineered refractors for maximum distribution.

ELECTRICAL

Compatible with RSL emergency units (sold separately).

OPERATING TEMPERATURE

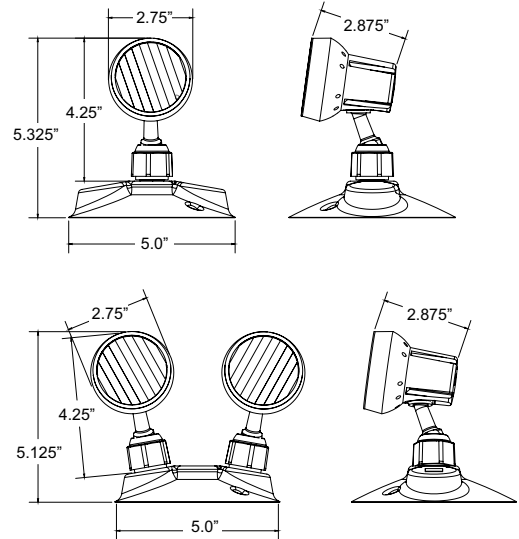
-30°C to 40°C (-22°F to 104°F)

CONFORMANCE TO CODES & STANDARDS

The SR Series meets or exceeds the following: UL 924, NEC requirements and NFPA 101.

WARRANTY

Any component that fails due to a manufacturing defect is guaranteed for 3 years. The warranty does not cover physical damage, abuse or instances of uncontrollable natural forces. See the full Exitronix warranty document for detailed information. (Terms and Conditions apply)



ORDERING INFORMATION Example: SR1-0605-W

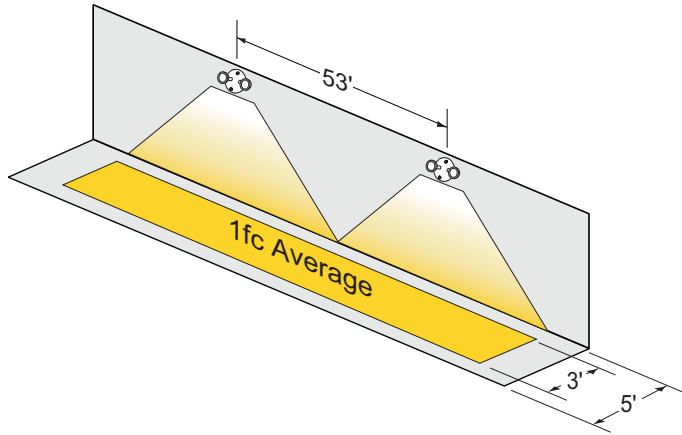
| Series ¹ | Voltage/Wattage | Finish |
|---|------------------------|-----------|
| SR1 - PAR18, Single Remote Lamp with Mounting Plate | 0605 - 6 Volt, 5 Watt | B = Black |
| SR2 - PAR18, Double Remote Lamp with Mounting Plate | 1205 - 12 Volt, 5 Watt | W = White |
| | 1207 - 12 Volt, 7 Watt | |

Notes

¹ Compatible with RSL Series, mounting plate included

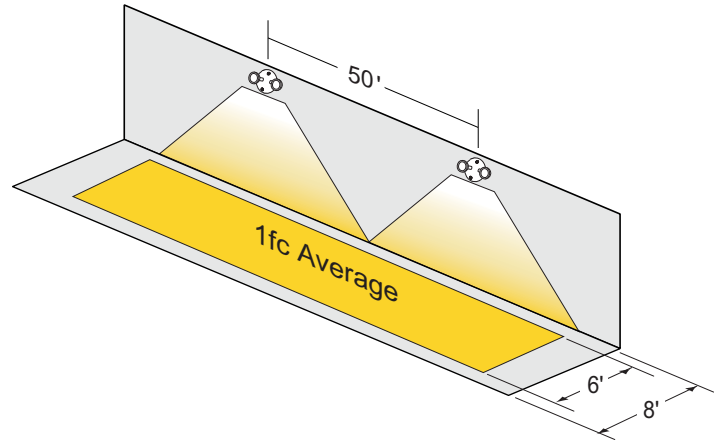
SR 6V, 5W SAMPLE PHOTOMETRICS - 3' PATH OF EGRESS

Using multiple SR 6V, 5W units mounted at a typical 7.5' height delivers 53' on-center spacing with a 3' wide path of egress using 80/50/20 reflectances.



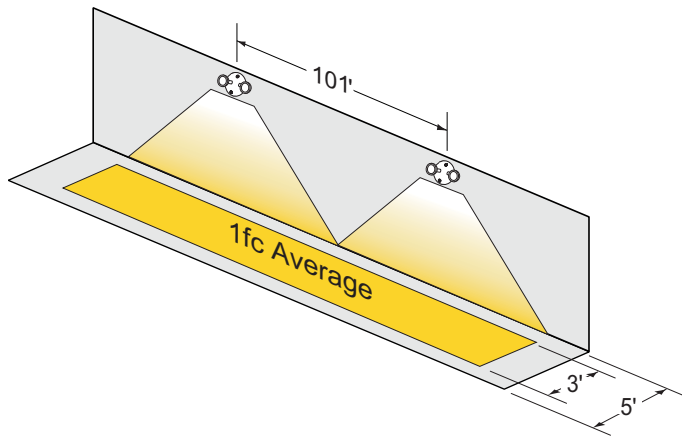
SR 6V, 5W SAMPLE PHOTOMETRICS - 6' PATH OF EGRESS

Using multiple SR 6V, 5W units mounted at a typical 7.5' height delivers 50' on-center spacing with a 6' wide path of egress using 80/50/20 reflectances.



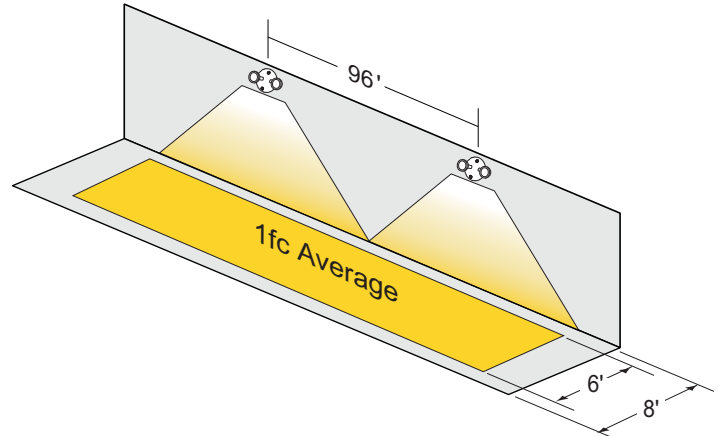
SR 12V, 5W SAMPLE PHOTOMETRICS - 3' PATH OF EGRESS

Using multiple SR 12V, 5W units mounted at a typical 7.5' height delivers 101' on-center spacing with a 3' wide path of egress using 80/50/20 reflectances.



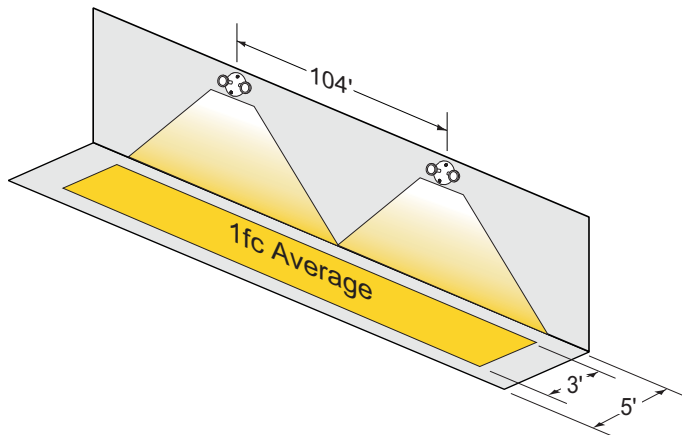
SR 12V, 5W SAMPLE PHOTOMETRICS - 6' PATH OF EGRESS

Using multiple SR 12V, 5W units mounted at a typical 7.5' height delivers 96' on-center spacing with a 6' wide path of egress using 80/50/20 reflectances.



SR 12V, 7W SAMPLE PHOTOMETRICS - 3' PATH OF EGRESS

Using multiple SR 12V, 7W units mounted at a typical 7.5' height delivers 104' on-center spacing with a 3' wide path of egress using 80/50/20 reflectances.



SR 12V, 7W SAMPLE PHOTOMETRICS - 6' PATH OF EGRESS

Using multiple SR 12V, 7W units mounted at a typical 7.5' height delivers 99' on-center spacing with a 6' wide path of egress using 80/50/20 reflectances.

