



SSL-HO Series

ALL LED THERMOPLASTIC EMERGENCY LIGHT



PROJECT: _____
 FIXTURE TYPE: _____
 LOCATION: _____
 CONTACT/PHONE: _____

PRODUCT DESCRIPTION

The SSL-HO Series is a compact architectural emergency lighting unit designed for fast wall or ceiling mount installation and reliable service. Integral LED based lamp-heads are fully adjustable. Unit provides a full 90 minutes of emergency lighting.

PRODUCT SPECIFICATIONS

CONSTRUCTION

Injection molded, engineering-grade, UV-stable thermoplastic • UL94V-0 flame rating • Impact, scratch, fade and corrosion-resistant • Snap-fit housing and mounting plate • White or black textured finish.

ELECTRICAL

Dual 120/277 voltage standard • Rated for use in damp locations • Solid state charging and switching • Brownout protection • Battery low voltage disconnect • Overload and short circuit protection • AC power indicator and test switch.

LAMPS

Long life, energy saving LED lamps • 2 watt LED lamps providing 250 total lumens

HEADS

Includes two 2W white LED lighting heads • Contemporary semi-recessed round head design • High performance reflector and plastic lens for optimal light distribution • Adjustable LED lamp heads provide optimal center-to-center spacing.

BATTERY

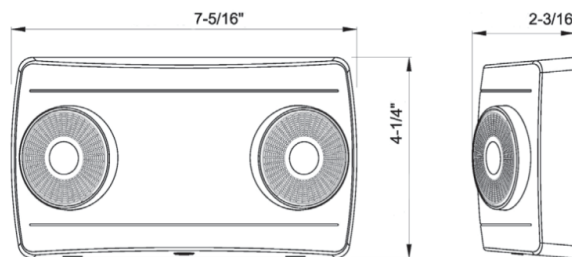
Maintenance-free sealed NiCad battery • Standard battery will operate fixture for a minimum of 90 minutes in the event of a power outage • High Output (REM Option) version will operate the fixture plus 2 remote heads for a minimum of 90 minutes.

CODE COMPLIANCE

UL924 • UL Listed for damp locations (0°C – 50°C) • NFPA 101 Life Safety Code compliant • NEC and OSHA compliant

WARRANTY

1-year warranty. Product specifications subject to change without notice.



INSTALLATION

MOUNTING

Suitable for wall or ceiling mounting • Surface mount via easy connect back plate, which fits most standard junction boxes • Top knockout for conduit applications.



ORDERING INFORMATION

model	housing color	options	accessories ²
SSL-HO	W = White	SD = Self Diagnostics	VRS3 = Polycarbonate Vandal Shield
	B = Black	REM ¹ = Remote Capable	WG5 = Wire Guard
			SSLRM-1 = Matching Indoor Single Remote
			SSLRM-2 = Matching Indoor Double Remote
			SSLRMWP-1 = Outdoor Single Remote
			SSLRMWP-2 = Outdoor Double Remote
Notes			

¹Additional capacity to run up to 2 watts of remote lighting heads (see below)

²Order separately

Ordering Example SSL-HO-W-REM



SSL-HO Series

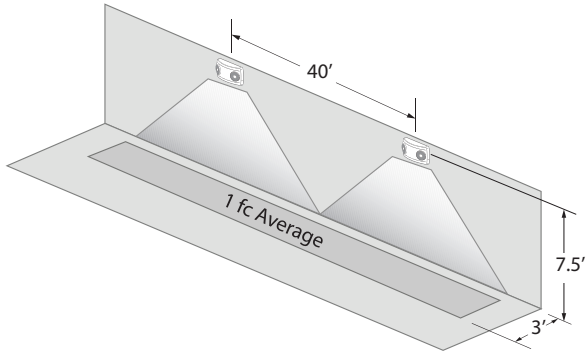
ALL LED THERMOPLASTIC EMERGENCY LIGHT



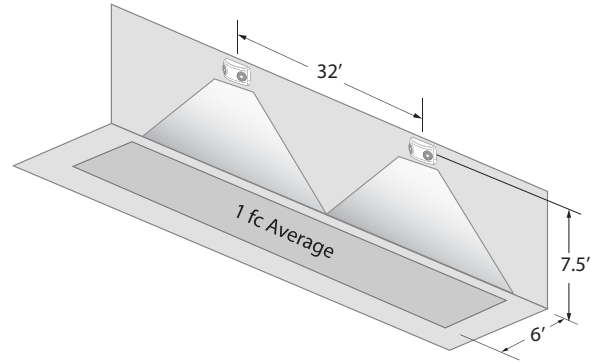
PROJECT: _____
 FIXTURE TYPE: _____
 LOCATION: _____
 CONTACT/PHONE: _____

PHOTOMETRICS

3ft Path Spacing



6ft Path Spacing



INDOOR REMOTE HEADS



OUTOOR REMOTE HEADS

