

## Survive-All™ EF39 Series

### NEMA-4X & NSF Certified



#### Construction

- Choice of cast aluminum or plastic back plate
- Vandal resistant comes standard with Phillips head screws, optional tamper proof screws
- Available as single or double MR16 lamp size remote lighting fixture
- Includes clear polycarbonate UV and impact resistant cover
- Tool-less, fully adjustable, aiming swivel head and easy lamp replacement

#### Finish

- White, black or gray

#### Mounting

- Surface mount
- Includes a back plate for mounting to a standard 4" octagonal electrical box

#### Approvals

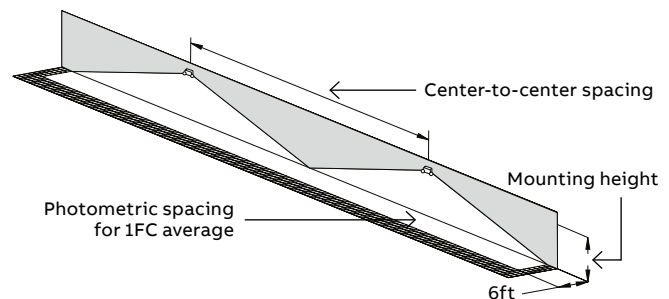
- UL listed
- NSF rated for food processing areas
- NEMA-4X certified

#### Warranty

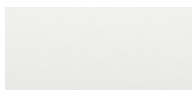
- Five-year limited warranty.  
Detailed warranty terms located on page 178 or online at:  
[www.emergi-lite.com/usa/files/EL\\_Warranty.pdf](http://www.emergi-lite.com/usa/files/EL_Warranty.pdf)

#### Photometry performance

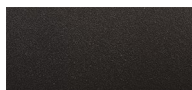
Lamp	Spacing center-to-center (feet)	
	7' mounting height	15' mounting height
LA	39'	34'
LB	74'	57'
LG	49'	39'
LI	68'	54'
LJ	89'	80'
LL	51'	39'



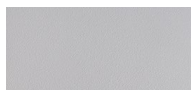
#### Housing color



White



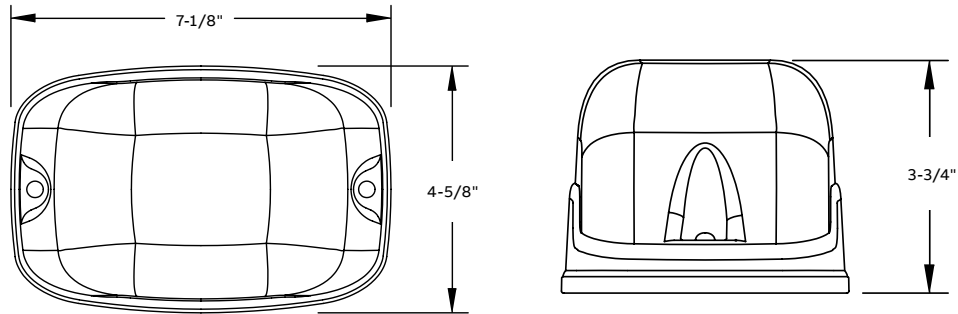
Black



Gray

**Dimensions**

Dimensions are approximate and subject to change.



**Accessories** (order as a separate item)

Description	Part number
Additional special bit for tamper-proof screws	690.0454-E

**How to order**

Series	Lamp type/wattage	Color	Option
<b>EF39P</b> = All polycarbonate single head NEMA-4X	( <b>LA</b> )= 6V-4W, MR16 LED	<b>Blank</b> = White	<b>SM</b> = Mounting plate
<b>EF39PD</b> = All polycarbonate double head NEMA-4X	( <b>LB</b> )= 6V-5W, MR16 LED	<b>-BK</b> = Black	
	( <b>LG</b> )= 12V-4W, MR16 LED	<b>-GY</b> = Gray	
	( <b>LI</b> )= 12V-5W, MR16 LED		
	( <b>LJ</b> )= 12V-6W, MR16 LED		
	( <b>LL</b> )= 24V-4W, MR16 LED		
	( <b>LW</b> )= 120V-4W, MR16 LED (2 wire)		

Example: EF39P(LG)-BK

Series	Lamp type/wattage	Color
<b>EF39</b> = Die-cast back plate single head NEMA-4X	( <b>LA</b> )= 6V-4W, MR16 LED	<b>Blank</b> = White
<b>EF39D</b> = Die-cast back plate double head NEMA-4X	( <b>LB</b> )= 6V-5W, MR16 LED	<b>-BK</b> = Black
	( <b>LG</b> )= 12V-4W, MR16 LED	<b>-GY</b> = Gray
	( <b>LJ</b> )= 12V-6W, MR16 LED	
	( <b>LI</b> )= 12V-5W, MR16 LED	
	( <b>LL</b> )= 24V-4W, MR16 LED	
	( <b>LW</b> )= 120V-4W, MR16 LED (2 wire)	

Example: EF39(LG)-BK