



Note: Model T1UNV030V-100LS is Discontinued

T1UNV024V-100LS

IP64



SPECIFICATION SHEET : ~~T1UNV030V-100LS~~

IP66



This Is An Original Product From Fulham Co., Inc

Description: Independent direct current power supply. High efficiency and reduced weight and size. Constant output voltage. Wide range input 100 ~ 277 Volt. Power output up to 100 Watts.

This Driver Will Operate Following LED Lamps :

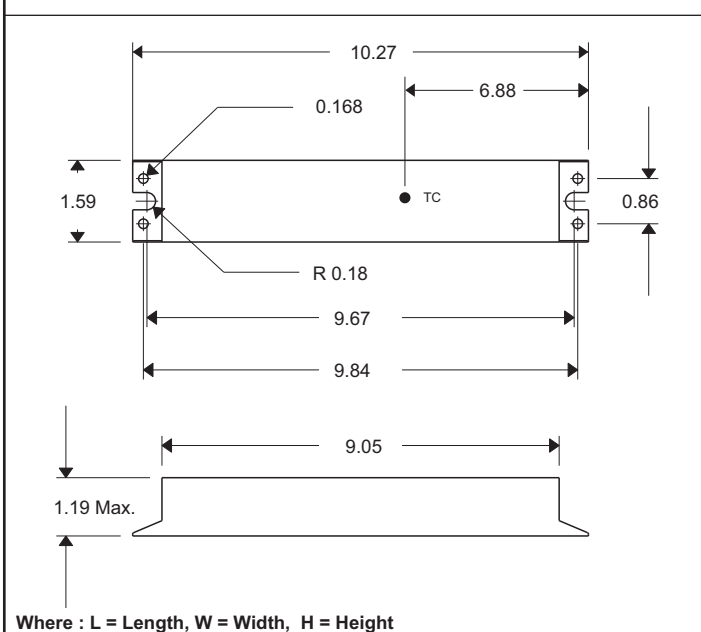
T1UNV024V-100LS: Any Series or Parallel string of LED's designed for 24V Constant Voltage Input.

~~T1UNV030V-100LS: Any Series or Parallel string of LED's designed for 30V Constant Voltage Input.~~

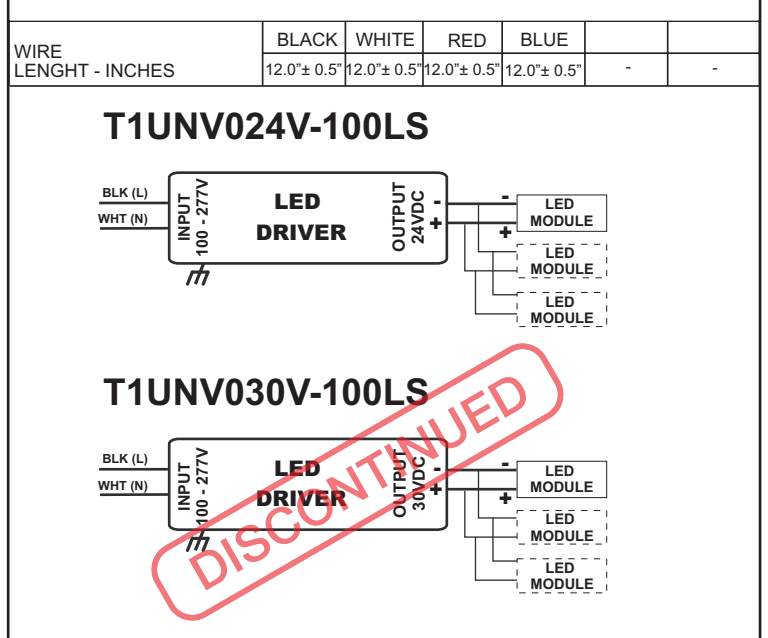
ELECTRICAL DATA

	T1UNV024V-100LS	T1UNV030V-100LS
INPUT VOLT	100 ~ 277V ± 10%, 50/60Hz	
POWER FACTOR (PF)	> 0.90	
THD	< 10% @ 120VAC, < 20% @ 277VAC	
EFFICIENCY	> 87% @ 120VAC, > 90% @ 277VAC	
SURGE PROTECTION	YES	
CURRENT PROTECTION	YES	
CONSTANT CURRENT, VOLTAGE OR POWER	CONSTANT VOLTAGE	
OUTPUT CURRENT	4.1A	3.3A
OUTPUT VOLTAGE	24V	30V
OUTPUT SHORT CIRCUIT PROTECTION	YES	
OUTPUT OPEN CIRCUIT PROTECTION	YES	
OUTPUT TO GROUND SHORT PROTECTION	YES	
OVER LOAD PROTECTION	YES	
OVER TEMPERATURE PROTECTION	N/A	
MAX. CASE HOT SPOT TEMPERATURE	89°C	88°C
MIN. POSSIBLE AMBIENT TEMPERATURE	-40°C	
MAX. POSSIBLE AMBIENT TEMPERATURE	60°C	
APPROVAL/CLASS	cURus Class 2, DAMP LOCATION, FCC Part 15 Class A, Type HL	

MECHANICAL DATA



WIRING DIAGRAMS



Fulham extends a limited warranty only to the original purchaser or to the first user for a period of 5 years from the date of manufacture when properly installed and operated under normal conditions of use. For complete terms and conditions, please reference the Fulham product catalog (www.fulham.com)
 Due to a program of continuous improvement, Fulham reserves the right to make modifications or variations in design or construction to the equipment described.