



SPECIFICATION SHEET : TC11200700-18C

This Is An Original Product From Fulham Co., Inc.

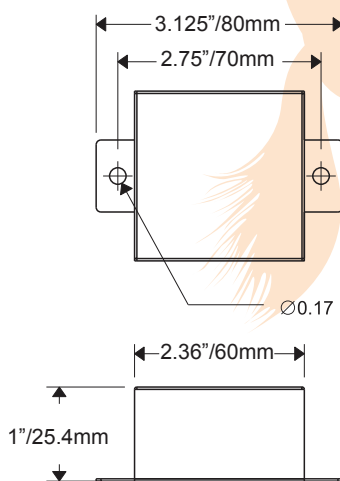
Description: Independent direct current power supply. High efficiency and reduced weight and size. Constant output current

**This Driver Will Operate The Following Led Lamps:
High Power LED up to 700mA**

ELECTRICAL DATA

INPUT VOLT: 120V ± 10%. 50/60Hz	120VAC
POWER FACTOR	>0.90%
THD	<20%
EFFICIENCY	>80%
SURGE PROTECTION	N/A
CURRENT PROTECTION	Yes
LED TYPES OPERATED	LED 700mA 3W
NUMBER OF LEDS	3,4,5, or 6 in Series
CONSTANT CURRENT, VOLTAGES OR POWER	Constant Current
OUTPUT CURRENT	700mA
OUTPUT VOLTAGE	10.5 ~ 30V
OUTPUT SHORT CIRCUIT PROTECTION	Yes
OUTPUT OPEN CIRCUIT PROTECTION	Yes
OUTPUT TO GROUND SHORT PROTECTION	Yes
OVERLOAD PROTECTION	Yes
MAX. CASE HOT SPOT TEMPERATURE	75° C
MIN. LAMP STARTING TEMPERATURE	-20° C
MAX. POSSIBLE AMBIENT TEMPERATURE	60° C
THERMAL PROTECTION	Class P
SERVICE LIFE	50,000 Hours
DIMMING RANGE	N/A
DIMMING CONTROLLER TYPE	N/A

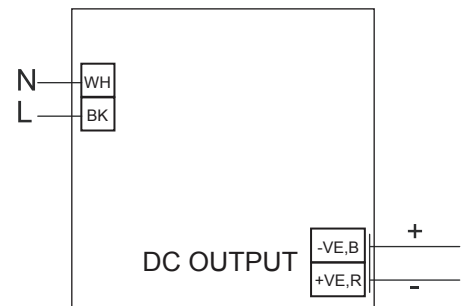
MECHANICAL DATA



Where : L = Length, W = Width, H = Height

WIRING DIAGRAMS

WIRE LENGTH - INCHES	BLACK	WHITE	RED	BLUE	YELLOW	BROWN
	12" x 1	12" x 1	12" x 1	12" x 1		



NOTE : This Ballast Case Must Be Grounded

Fulham extends a limited warranty only to the original purchaser or to the first user for a period of 5 years from the date of manufacture when properly installed and operated under normal conditions of use. For complete terms and conditions, please reference the Fulham product catalog (www.fulham.com). Due to a program of continuous improvement, Fulham reserves the right to make modifications or variations in design or construction to the equipment described.