



Project	
Notes	
Type	Date
Cat. No.	

THE™ Series

Twin Head Emergency Light

APPLICATIONS

THE series combines low-profile, contemporary appearance with LED economy and dependability. Fully adjustable heads compliment any application. Provides a minimum of 90 minutes of illumination for the rated wattage upon loss of AC power. Ideal for applications requiring attractive unit equipment with quick installation.



Specification Features



THE Series
THE-W
THE-B

Limited Warranty 5-years

Quick Ship

Made to order

Construction

Injection molded, engineering grade 5VA flame retardant, high impact resistant thermoplastic in white or black finish.

Qualifications

Meets UL924, NFPA 11 life safety Code, NEC, OSHA Local and State Codes. UL listed for damp locations (0° C - 50° C).

Warranty

5-year Limited Warranty on all electronics and housing. Battery pro rated for 5 years.

Electrical

Dual 120/277 voltage. Charge rate/power "ON" LED indicator light and push-to-test switch for mandated code compliance testing. 3.6 long-life, maintenance free, rechargeable NiCad Battery. Internal solid-state transfer switch automatically connects the internal battery to the LED lamp head for minimum 90-minute emergency illumination. Fully automatic solid-state, two-rate charger initiates battery charging to recharging a discharged battery in 24 hours.

Installation

Universal knockout pattern on back plate for surface mount. Snaps into place making internal electrical connections. Suitable for wall or ceiling mount. Knockout for conduit applications.

Ordering Information

Example: THE-W

THE	W	EM				
Series THE Twin Head Emergency Light	Housing B - Black W - White	Options EM - Ni-Cad Battery				

Specifications and Dimensions subject to change without notice.

Performance Summary

Input Voltage	120V/277V
Input Frequency	50/60 Hz
Rated Wattage	2W
Delivered Lumens	200
Efficacy	> 100 LPW (typ.)
Rated Life	60,000 hours
L70 ³	> 72,000 hours or > 45,000
Power Factor	> 0.9
THD	< 20%
Operating Temp.	0°C to 50°C

Performance Data

Lens Type	Form Factor	Catalog No.	Rated Wattage (W)	Delivered Lumens	Efficacy (lm/W)
None		THE-B	2	200	100

NOTES:

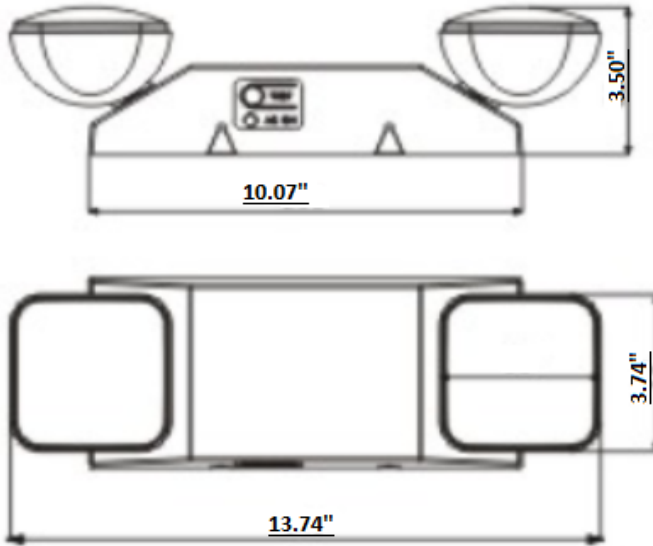
- ¹ Made to order items. Minimum 90 day lead time. Minimum 500 order quantity.
- ² Energy star listed
- ³ Quick ship: 3000K. Other CCTs may require a lead time or be special order.
- ⁴ Typical color consistency. May vary or be changed.
- ⁵ L70 hours calculated based on LED package manufacturer LM80 report and ISTMT report of LED in luminaire. Stated values are for select catalog numbers. Contact manufacturer for detailed information
- ⁶ Actual performance may differ as a result of end-user environment and application. All values are design or typical values, measured under laboratory conditions at 25 °C.



Specifications and Dimensions subject to change without notice.

Product Dimensions

THE



Product Sample Photometrics

Using multiple units at a typical 7.5' mounting height with 80/50/20 reflectances on a 3' wide path of egress yields the following center-to-center spacing:

Using multiple units at a typical 7.5' mounting height with 80/50/20 reflectances on a 6' wide path of egress yields the following center-to-center spacing:

