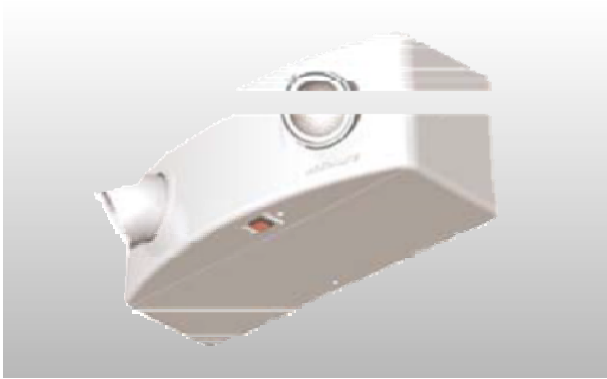


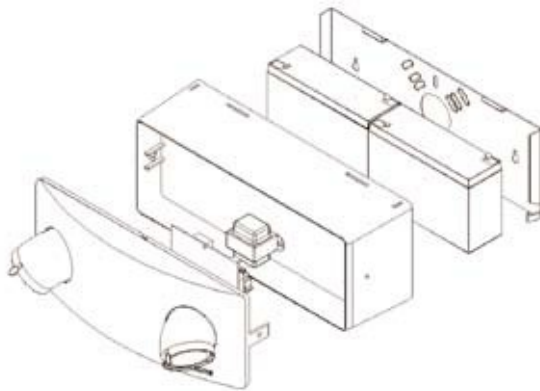
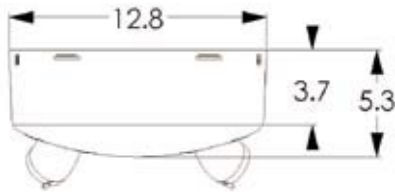


TYPE \_\_\_\_\_

CATALOG# \_\_\_\_\_



Wall Mount



# TP-400

Heavy Duty Remote Capable Emergency Battery Unit

### GENERAL DESCRIPTION

Redefining the aesthetic standards the industry has settled for in the past, the Light Style™ Series TP-400 offers an emergency unit that combines high performance with sleek design. The TP-400 provides a high level of glare-free illumination while effortlessly blending into any environment. Unit also features remote capability to power additional remote heads.

### HOUSING

The unit is composed of UV-stable, flame-retardant thermo-plastic material that meets UL standards. The unit comes in classic colors such as white and black but can be custom finished to fit any architectural demand.

### ILLUMINATION

Two fully-adjustable standard MR-16 Halogen lamps (available in 5, 8, or 10 Watts) exceed illumination required by UL 924.

### ELECTRONICS & BATTERY

Standard transformer input is dual voltage 120/277 60Hz. The charging system features (LVD) Low Voltage Disconnect, AC lockout installation and brown-out protection and AC indicator LED light standard. The maintenance-free sealed lead calcium battery provides a minimum of 90 minutes of illumination in emergency mode with an average life of 5 years. Optional Nickel Cadmium battery also available.

### CODE COMPLIANCE

Tested and Listed to UL 924. Damp location listed. Meets or exceeds NFPA, NEC and OSHA illumination standards.

### WARRANTY

5 years on housing and electronics with a 5 year pro rated warranty on battery

LIGHT STYLE™ SERIES

## TP-400

Model

### Total DC Wattage

30 = 30 Watts  
50 = 50 Watts  
65\* = 65 Watts

### Integral Lamps

10 = 2 x 5 Watt MR-16  
16 = 2 x 8 Watt MR-16  
20 = 2 x 10 Watt MR-16

### Voltage

6 = 6 Volts  
12 = 12 Volts

### Housing Color

W = White  
B = Black

### Factory Installed Options

NC = NiCd Battery  
220 = 220 VAC Input  
A\*\* = Ammeter  
V\*\* = Voltmeter  
SD = Self Diagnostics  
TD\* = Time Delay

\* 65-Watt Units can only be configured with 12V set-up

Note: To determine maximum remote wattage, subtract total integral lamp watts from total DC unit wattage.  
Example: Subtract 16 watts (2 x 8 watt lamps) from 50 Watts (Total DC Wattage) to get 34 watts, which is equivalent to the maximum wattage available for remote lamps.

\* Must Specify Input Voltage and Delay Time  
\*\* Choose One Option Only

