



Type No. _____

Job Name _____

Catalog No. _____



Shown: UV16LW

UV16

- Contemporary Emergency Lighting
- 6 Volt, 11 Watt
- Maintenance Free, Sealed Lead Calcium Battery
- Ideal for Vandal Prone or High Abuse Areas
- UL Damp/Wet Location Listed

Housing

- Housing, backplate and electronics shell are molded from high-impact, F1 rated, GE Lexan® polycarbonate
- All injection molded components meet the UL 94 V-0, 5 VA flame retardant standard for emergency lighting products
- White housing is standard, black or bronze is optional
- Simplified installation with snap-together backplate/housing
- Unit supplied standard with UL damp location listing and tamperproof screw kit. Optional wet location listing includes backplate/junction box gasket.
- When installed with the supplied tamperproof screw kit, removal from mounting surface, or removal of outer protective cover is not possible without the use of a torx T-15 bit
- Utility supply is completed by the use of a modular plug-in wiring harness, and a convenient knockout in the top right section of the product to accommodate 1/2" conduit (damp location listed units only)

Operating Temperature Range

- Damp Location: 50°F (10°C) to 104°F (40°C)
- Wet Location: 41°F (5°C) to 104°F (40°C)
- Wet Location with Heater: -4°F (-20°C) to 104°F (40°C)

Battery

- Maintenance free, sealed lead calcium battery has an expected service life of 5 years

Illumination

- Two high performance 5.5 W, 6 VDC MR16-style halogen lamps
- Fully adjustable lamps are held by an attractive molded swivel assembly, and are fully adjustable
- Provides an average of one footcandle along a linear path of egress when mounted on 18' centers (8' AFF)

Electronics

- 120/277 VAC dual voltage input capability
- Solid-state, constant voltage charger restores battery to full charge within UL 924 specifications
- Brownout protection activates lights when AC voltage drops 20% below nominal
- Low voltage disconnect prevents deep battery discharge
- Labor saving AC lockout feature
- All circuit board components are coated with a moisture-resistant protector

Electrical Specifications

- 120 VAC - 0.05 A, 0.30 A with heater option
- 277 VAC - 0.02 A, 0.13 A with heater option

Code Compliance

- UL 924 listed, UL damp location listed, UL wet location listing optional
- NFPA 101, NEC, BOCA, OSHA, and IBC illumination standards
- Meets ADA specifications for wall mounted lighting

Application

- Commercial locations where an attractive, reliable and economical emergency lighting unit is desired
- Ideal for vandal prone or high abuse areas
- Damp or wet location
- UV16 meets the Buy American requirements

Warranty

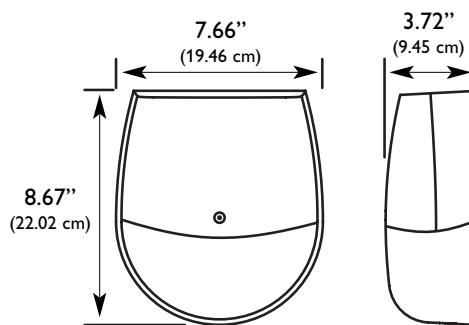
- Electronics: 3 years,
- Battery: 1 year full, 4 years pro-rata

Ordering Information

UV16	L		
SERIES	BATTERY	HOUSING COLOR	LOCATION LISTING
UV16 = Unison Vandal Series, 11 W	L = Lead Calcium	W = White B = Black BZ = Bronze	Blank = Damp Location WL = Wet Location HR = Wet Location w/ Battery Heater

ACCESSORIES (ORDER AS A SEPARATE ITEM)
T15TPTOOL = Tamperproof Tool

Dimensions



Dimensions are approximate and subject to change.

Optical Performance*

ILLUMINATION

I.E.S. format photometric data files are available for use with most lighting layout application software.

Contact: LightGuard Technical Service for specific layout assistance.

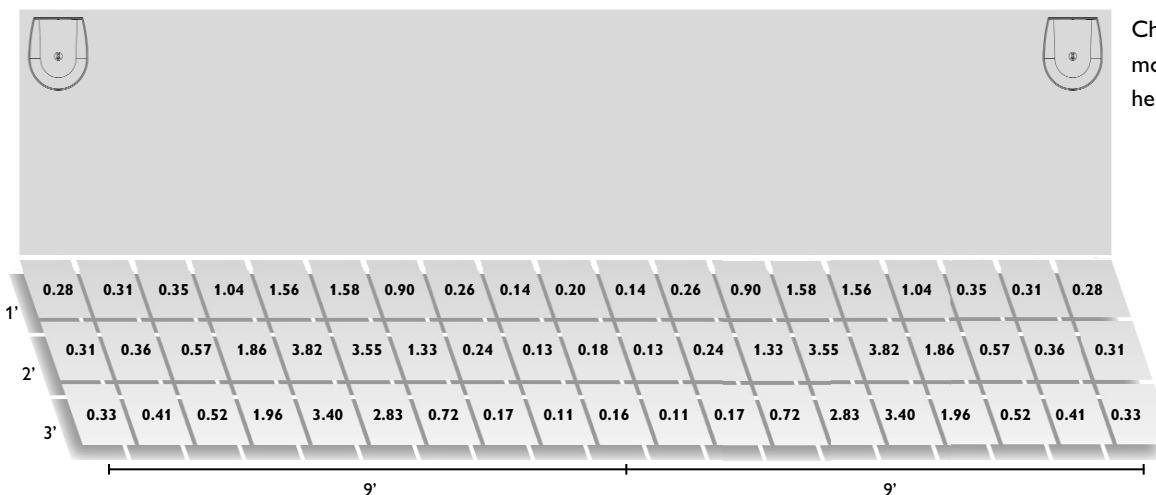


Chart represents (2) luminaires mounted on 18' centers, mounting height 8' AFF

Average initial footcandles at floor = 1.03
Maximum initial footcandles at floor = 3.82

Minimum initial footcandles at floor = 0.28
Maximum to minimum ratio = 13.7:1

*The optics layout is intended to be used as a reference only. Standard reflectance, 80/50/20 were used. LightGuard is not responsible for site specific conditions that may alter the results.

Suggested Specification

Furnish and install LightGuard vandal resistant emergency lighting model _____ . The unit shall be constructed to meet Underwriter's Laboratories, Inc. Standard 924 and must be installed to conform to Article 700 of the National Electrical Code (NEC).

INSTALLATION AND OPERATION - Unit shall be easily field connected to a 120 or 277 VAC, 60 Hz, unswitched power source. Installation must comply with the NEC as well as other applicable codes. Upon utility power failure or brownout, the unit shall automatically provide emergency battery power and maintain the stated illumination level and output wattage for a minimum period of 90 minutes. Upon restoration of utility power, the charging circuitry shall restore the battery to full charge within UL 924 requirements following a rated discharge of not more than 90 minutes.

CHARGING CIRCUITRY - Unit shall utilize a solid-state, fully automatic, voltage regulated charging system which will maintain the battery at full capacity without the need for periodic exercising or equalization. The following features shall be standard: low voltage disconnect (LVD), brownout protection, and AC lockout.

BATTERY - The battery shall be maintenance-free, sealed lead calcium type. The battery shall provide trouble-free operation in temperatures up to 104°F (40°C) and is supplied with a one year full, four year pro-rata warranty.

ILLUMINATION - Illumination shall be provided by two internally mounted MR16 style 5.5 W halogen lamps. The lamp assemblies must be capable of 180° horizontal rotation and 160° vertical rotation. When mounted on 18' centers at 8' AFF, the unit shall provide an average of 1 footcandle between luminaires from base of wall to 3' from wall.

HOUSING - Outer cover, backplate and electronics cover shall be injection molded from GE Lexan® polycarbonate, rated for UL 94 V-0, 5VA applications. Backplate shall be compatible for mechanical fastening to 3 1/2" or 4" octagon, or 4" square junction boxes and be supplied with a knockout pattern to facilitate mounting. Modular utility supply connectors shall eliminate hardware line voltage terminations inside the product housing, except when utility supply is provided via surface conduit (damp location listing only). Regular and tamperproof screws shall be provided along with a weather resistant gasketed construction. When installed using the supplied tamperproof screw kit, product shall not be capable of removal from wall, or subject to opening of the electronics compartment with standard tools.

ALL SPECIFICATIONS SUBJECT TO CHANGE WITHOUT NOTICE

© Lexan is a registered trademark of General Electric Company



272 West Stag Park Service Road • Burgaw, NC 28425
(910) 259-1131 • FAX (800) 403-6927
www.lightguard.com

L2320R13
5/12 IH