

Attractive and easy to install, the VEX Remote Series combines quality LED illumination with contemporary, soft corner styling to complement any application.

Model: _____ Date: _____
Accessories: _____
Job Name: _____ Type: _____

FEATURES AND BENEFITS

- Compact, low-profile, snap-together design
- Maintenance-free NiCad battery with 6 watts remote capacity (Option: R6) for use with **MLED** remote lamp heads
- Field-selectable directional chevron knockouts
- Suitable for Damp Locations

SPECIFICATIONS

Illumination: Constant, uniform illumination by long-life, high intensity, red or green LEDs

Housing: Rugged, injection-molded UL 94 5VA flame-retardant, high-temperature thermoplastic housing

Legend: Fully-illuminated 6" characters with 3/4" stroke

Input: 120/277VAC Dual primary, 60Hz input

Battery: Maintenance-free NiCad battery

Run Time: UL listed 90 minute emergency run time, 24 hour recharge time

Electrical: Low voltage disconnect eliminates deep discharge

Mounting: Ceiling, end or wall mounted

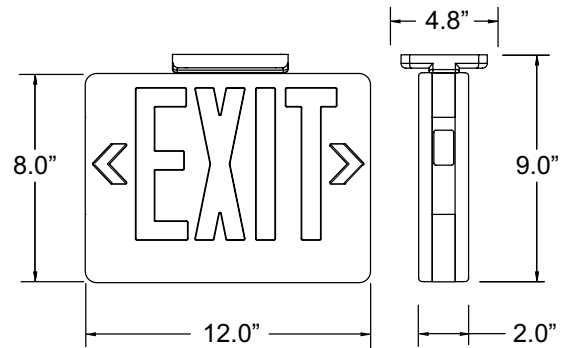
Finishes: Black or White

Options: R6 - Maintenance-free NiCad battery with 6 watts remote capacity for use with **MLED** remote lamp heads
G2 - Guardian Self-test/Self-diagnostics

Operating Temp: 0°C to 40°C (32°F to 104°F)

Certifications: UL 924 Listed for Damp Locations, NEC and NFPA 101

Warranty: Any component that fails due to manufacturers defect is guaranteed for five years with a separate prorated battery warranty: five years prorated warranty for NiCad battery, and two year prorated warranty for Lead Calcium battery. The warranty does not cover physical damage, abuse or instances of uncontrollable natural forces. See the full Exitronix warranty document for detailed information.



ORDERING INFORMATION Example: VEX-U-BP-WB-WH-R6-G2

Series	Style	Housing Type	Power Source	Finish	Remote Capacity	Option
VEX = Red	U ¹ = Universal	BP = Plastic	WB = With Battery	WH = White	R6 ² = 6W Remote Capacity	G2 = Self-test/Self-diagnostics
GVEX = Green				BL = Black		SALIDA = Salida Legends
						Accessories³ (Field Installed)
						ER1-KIT = 1' Pendant Mount Kit
						ER2-KIT = 2' Pendant Mount Kit
						VEPA = Pendant Adapter
						WG-S = Wire Guard (Back Mount)
						XG-1 = Poly Guard (Back Mount)
						XG-3 = Poly Guard (Ceiling Mount)
Notes						
¹ Universal includes 2nd exit face and backplate						
² R6 option will operate up to (4) MLED remote heads only						
³ Order as separate line item						

CONSTRUCTION

The VEX Remote series is constructed of a precision-molded housing utilizing 5VA flame-retardant, corrosion-proof, UV-stable thermoplastic. Units resist denting, peeling, scratching and corrosion.

ILLUMINATION

Illumination of the VEX Remote series is achieved with high-output, long-lasting red or green LEDs. An exclusive color-matched diffuser eliminates hot spots and striations, providing optimal light output. LEDs are a maintenance-free solution, providing up to 100,000 hours of use without failure.

ELECTRICAL

Input

Dual-voltage input 120 or 277VAC @ 60Hz.

Nickel Cadmium Battery – NiCad (R6 Only)

Exitronix nickel cadmium batteries are maintenance-free with a life expectancy of 15 years.

Emergency

The VEX remote series exit will operate for a minimum of 90 minutes during a loss of power with a 24 hour maximum recharge time for the battery

Low Voltage Disconnect

Low Voltage Disconnect (LVD) measures the battery terminal voltage. The LVD continuously monitors the battery terminal voltage and if it should fall below a preset voltage threshold, the LVD will disconnect the load. When the battery is recharging and voltage is raised above another preset voltage threshold, the load is automatically reconnected.

Solid-State Transfer

The circuit features solid-state switching for emergency lamps, eliminating concerns of damaged contact or mechanical failures associated with relays. The switching circuit detects a loss of line voltage and automatically switches to emergency mode.

Test Button

The test button is easy to locate and provides manual verification of the transfer circuit and emergency lamps.

Remote Capacity

R6 provides this unit with up to 6W of remote for use with **MLED** lamp heads.

Wattage Consumption (VEX-R6)

	Input Watts		Input Amps	
	120V	277V	120V	277V
Green LED Watts	3.0	3.2	0.030	0.014
Red LED Watts	3.4	3.6	0.033	0.015

INSTALLATION

Simple snap-together universal design allows for faceplate and backplate to be fully interchangeable. Mounting canopy is supplied with all signs and snaps into enclosure with two positive locking tabs.

Damp Location Rated

Damp Location Rated fixture that is normally or periodically subject to condensation of moisture in, on or adjacent to, and includes partially protected locations.

CONFORMANCE TO CODES & STANDARDS

The VEX remote Series is UL Listed for Damp Locations and meets or exceeds the following: NEC requirements and NFPA 101.