

The VEX-WPCR Series exit combo's low-profile, rounded corners and compact size gives the unit its modern design. The VEX-WPCR is UL 924 Listed for Wet Locations and features remote capability. The unit is an ideal solution for egress lighting where splashing, dripping or non-corrosive liquids may occur.

Model: _____ Date: _____
Accessories: _____
Job Name: _____ Type: _____

FEATURES & BENEFITS

- Impact and UV-resistant polycarbonate faceplate with integral gasket to ensure ingress protection
- Fully adjustable, high-intensity 1.17 Watt LED lamp heads
- Constant, uniform illumination with 20' on-center spacing
- UL 924 Listed for Wet Locations
- Remote capable - (single [MLED](#) or [RL52](#))
- California Energy Commission (CEC) compliant

SPECIFICATIONS

Illumination: Long-life, high-intensity, red or green LEDs with 1.17W LED lamp heads

Housing: Heavy-duty, high-impact, corrosion-resistant housing

Input: 120/277VAC Dual primary, 60Hz

Battery: Maintenance-free NiMH battery

Operating Temp: 0°C to 40°C (32°F to 104°F)

Run Time: UL Listed 90 minute emergency run time, 24 hour recharge time

Electrical: Brownout, overload and short circuit protection

Legend: Fully-illuminated 6" characters with 3/4" stroke, field-selectable directional chevrons

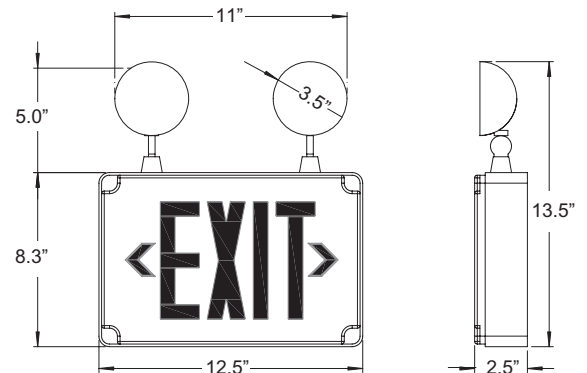
Mounting: Surface wall or end mount, includes canopy

Finishes: White

Options: R - 1W Remote Capable

Certifications: UL 924 Listed for Wet Locations, meets or exceeds NEC requirements and NFPA 101, California Energy Commission (CEC) Compliant

Warranty: Any component that fails due to a manufacturing defect is guaranteed for five years with a separate five year prorated warranty on the battery. The warranty does not cover physical damage, abuse or instances of uncontrollable natural forces. See the full Exitronix warranty document for detailed information and product registration instructions.



ORDERING INFORMATION Example: VEX-WPCR-U-R-WH

Series	No. of Faces	LED Color	Finish	Option
VEX-WPCR	U ¹ = Universal	G = Green R = Red	WH = White	R ² = 1W Remote Capable

Notes

¹ Complete with (2x) faceplate and backplate	Accessories³ (Field Installed)
² Compatible lamps: Single MLED or RL52 (Scaled IES file available upon request)	WG-S = Wire Guard, Back Mount
³ Order as separate line item	XG-6 = Poly Guard, Back Mount

CONSTRUCTION

The VEX-WPCR Series is constructed of high-impact, corrosion-resistant thermoplastic. The UV-resistant faceplates are protected by high-abuse, clear polycarbonate which is recessed into the housing. The unit comes standard with an external LED status indicator and test switch.

Stencil letters are 6" high with 3/4" stroke.

ILLUMINATION

Illumination of the VEX-WPCR Series is achieved with high-output, long-lasting red or green LEDs exceeding UL 924 requirements for brightness and uniformity. An exclusive color matched diffuser eliminates hot spots and striations, providing optimal light output.

EMERGENCY LIGHTS

Two fully adjustable LED lamps allow for accurate positioning and reduced maintenance. Each emergency lamp consumes 1.17 Watts.

ELECTRICAL

Input

Dual-voltage input 120 or 277VAC @ 60Hz.

Nickel Metal Hydride Battery - NiMH

Exitronix nickel metal hydride batteries are maintenance-free. NiMH batteries are more environmentally-friendly than traditional NiCad or lead calcium as they contain no cadmium or lead.

Brownout Circuit

Brownout circuit monitors the line voltage. As the line voltage sags and can no longer illuminate the exit sign to meet UL 924 visibility test, the emergency circuit will turn on to supply a portion or all the power to illuminate the sign for a minimum of 90 minutes until the line voltage is restored.

Overload and Short Circuit Protection

The overload monitoring system is a Solid-state circuit which monitors the lamp load and disconnects from the battery should an overload or short circuit occur. The overload current protection eliminates the need for fuses or circuit breakers for the DC load.

Test Button

The test button is easy to locate and provides manual verification of the transfer circuit and emergency lamps.

INSTALLATION

The VEX-WPCR Series is suitable for wall or end mount applications. Suitable for indoor, outdoor or Wet Location applications.

OPTIONS

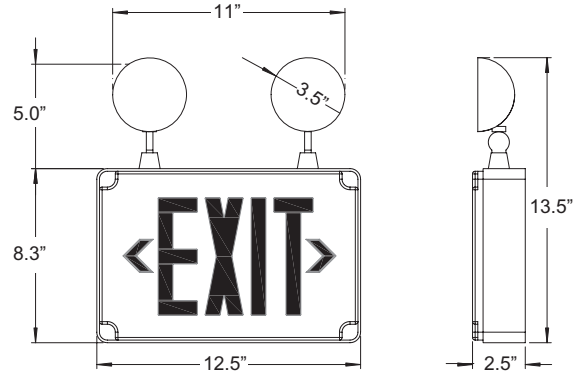
Remote Capable (Option: R)

The VEX-WPCR is remote capable and provides up to 1 Watt of remote power for 90 minutes. Compatible with [RL52](#) or [MLED](#) lamp heads (Scaled IES file available upon request).

CONFORMANCE TO CODES & STANDARDS

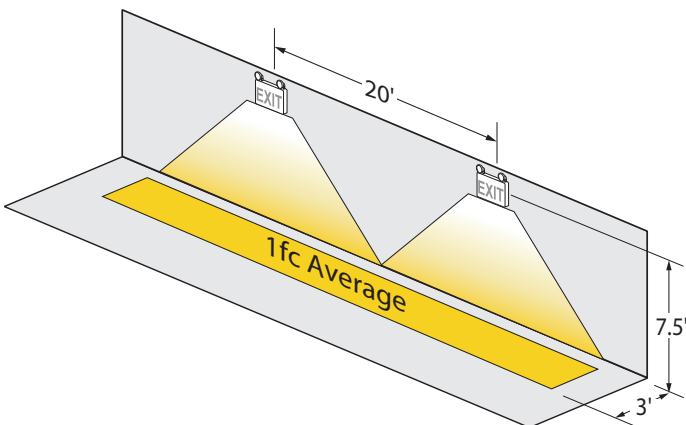
The VEX-WPCR Series is Wet Location, CEC, UL 924 Listed and meets or exceeds the NEC requirements and NFPA 101.

DIMENSIONS



SAMPLE PHOTOMETRICS

Using multiple units mounted at a typical 7.5' height delivers 20' on center spacing with a 3' wide path of egress.



Using multiple units mounted at a typical 7.5' height delivers 20' on center spacing with a 6' wide path of egress.

