

Commercial Emergency

VU6 Series Value+ Economy Grade Thermoplastic Unit

VU6



VU6R



Specifier's Reference

Project

Type

Model No.

Comments

codes and standards

- UL listed to Standard 924
- NFPA 70 (National Electric Code)
- NFPA 101 (Life Safety Code)
- BOCA and OSHA illumination standard
- UL Listed for damp locations.

construction

- Contractor friendly, snap together design.
- UL 94V-O high impact thermoplastic construction.

installation

- Wall or ceiling mounted.
- Easy removable knock-outs for mounting.
- J-box pattern on back.

electronics

- Surge protected, solid state circuitry. Charging systems are complete with low voltage disconnect, AC lockout, brownout protection, AC indicator lamp and test switch.
- Power consumption
120 VAC - 0.044 amps
277 VAC - 0.02 amps
- VU6SD comes with self-testing/self diagnostic circuitry that will automatically initiate a one minute monthly test, a 30 minute test every 6th month and one 90 minute test annually. A manual test can be performed at any time by simply pressing the test button. See spec. sheet CE-17300.

lamps

- VU6 series units contain 6V, 5.4W tungsten lamps.

battery

- Maintenance free sealed lead calcium battery has an estimated service life of five years.
- Operating temperature range of 65°F (19°C) to 85°F (30°C).
- Supplies 90 minutes of emergency illumination.

remote capacity

- All VU6R has the remote capability of feeding one remote (6V-5.4W tungsten) lamp head.

warranty

- Three year warranty on units. (lamps not included)

Family	Voltage	Wattage	Housing Color	Lamp Type	Remote Capability
VU6	6	12	White	5.4 Watt Tungsten	None
VU6B	6	12	Black	5.4 Watt Tungsten	None
VU6R	6	18	White	5.4 Watt Tungsten	6 Watts
VU6SD	6	12	White	5.4 Watt Tungsten	None

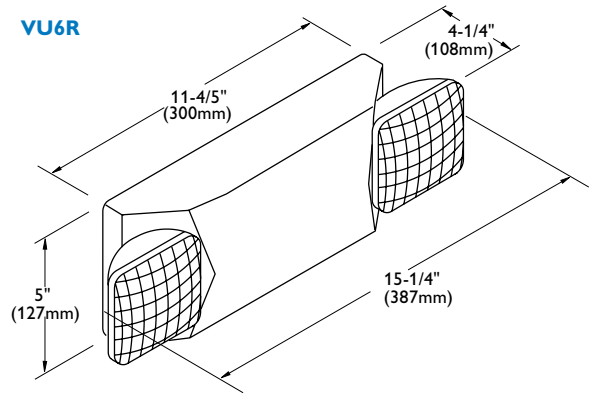
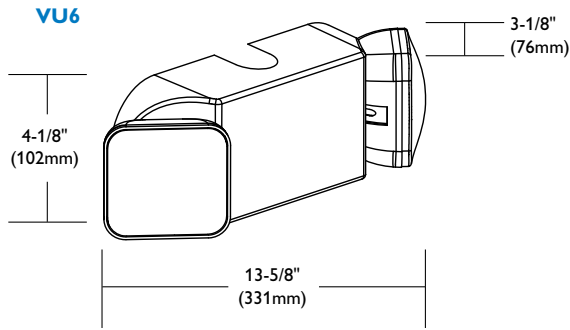
Accessories (order separately)

- WG4** Wire Guard for VU (wall mount only)
- PCS1** Polycarbonate Vandal Shield

Note:

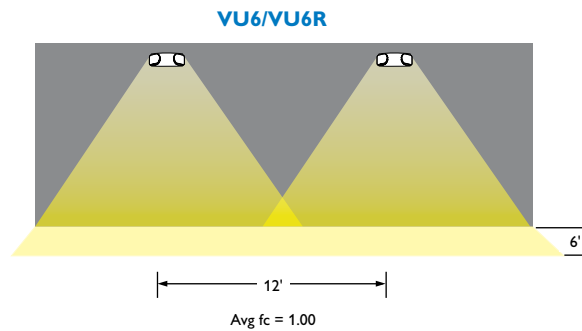
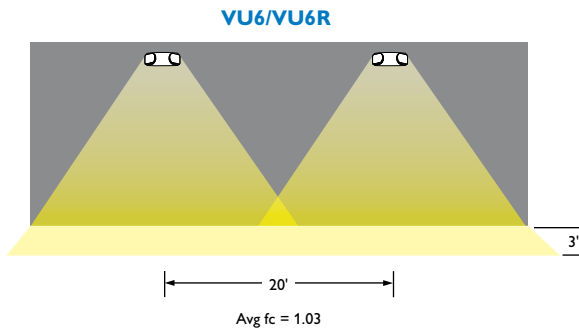
Refer to CA-51200 for matching remote lamp heads.

dimensions



performance

Meets Life Safety Code standard minimum illuminance of 0.1 FC and average illuminance of 1.0 FC. Assumes open space with no obstructions, mounting height: 8', ceiling height: 9', and reflectances: 80/50/20. Analysis based on independently tested photometrics.



©2012 Philips Chloride
 All rights reserved.
 776 South Green Street • Tupelo, MS 38804
 p. 800.234.1890 • f. 662.841.5501
 Canadian Division
 189 Bullock Drive • Markham, Ontario L3P 1W4
 p. 905.294.9570 • f. 905.294.9811

Contact Factory for Additional Configurations.
 Specifications are subject to change without notice.

Some luminaires use fluorescent or high intensity discharge (HID) lamps that contain small amounts of mercury. Such lamps are labeled, "Contain Mercury" and/or the symbol "HG". Lamps that contain mercury must be disposed of in accordance with local requirements. Information regarding lamp recycling and disposal can be found at www.lamprecycle.org

