

PROJECT NAME:	APPROVED BY:
CATALOG NO:	TYPE NO:

WIRE GUARD - For Exit Signs and Emergency Lights

WG Series Wireguard

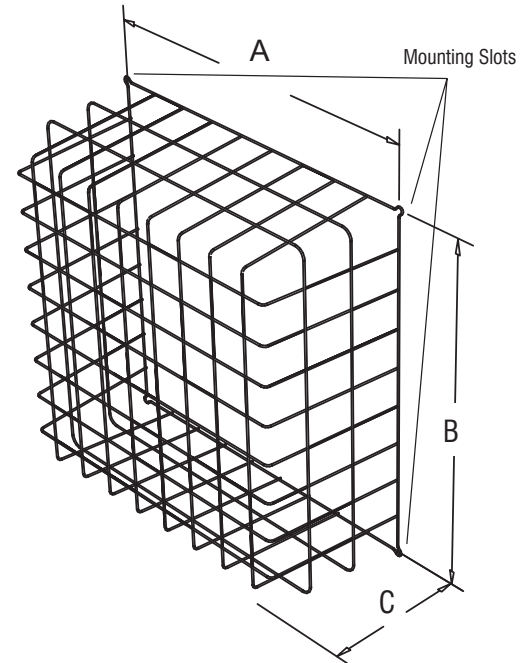
Evenlite wireguards provide enhanced protection for emergency lighting equipment from physical damage. All are made from 18 gauge coldrolled steel and finished with a durable white baked powder coat paint for corrosion resistance. Ideal for use in gymnasiums, outdoor installations, loading docks, warehouses, schools and apartment complexes.

ORDERING GUIDE

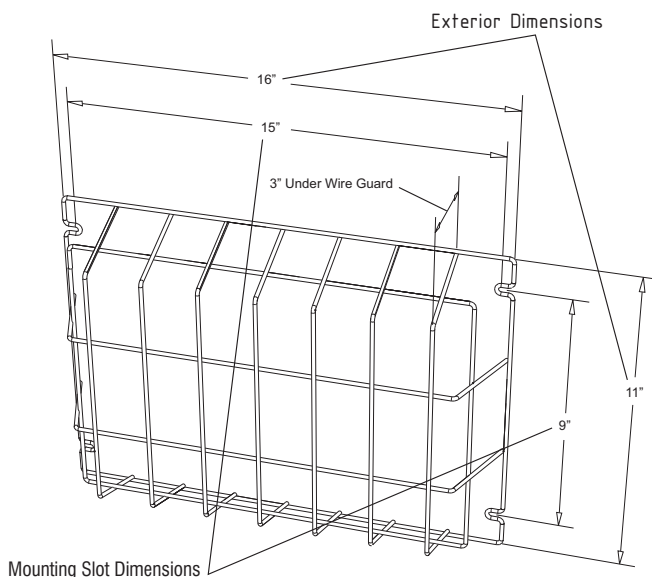
Model	Application	A - Dimensions	B - Dimensions	C - Dimensions
WG-4	TS & TR remotes	6.0"	8.0"1	6.0"
WG-5	Small Cabinet Battery Units	14.0"	0.0"	6.75"
WG-6	Medium Cabinet Battery Units	20.0"	17.0"	12.0"
WG-7	Large Cabinet Battery Units	28.0"	21.0"	10.0"
WG-8	P1 and L1 Remotes	8.0"	6.0"	8.0"
WG-9	P2 and L2 Remotes	12.0"	9.0"	9.0"
WG-70	TLA exit ONLY	20.0"	9.0"	2.5"
TLCWG	Telesis Exit Combo	27.5"	14.5"	8.0"
M990005	TEB2W, TCS, CMG2E11 ONLY	15.0"	13.5"	6.0"
M990006	TLX, CCDS, RZR3, RCG3, LEX, LL, CDI	11"	13.5"	6.0"
M990010	TLX, CCDS, RZMR3, RCG3, CCDMR, CDMR, LEX, LL, SL, SLV, REC, Sentry CG, CDI	16"	11"	3"
	<i>Note: M990005, M990006 and M990010 are not powder coated</i>			

Fill in fields from categories above and complete type and part number.

Type Number:	Full Part Number:
--------------	-------------------



Note: Not all wire guards are exactly as shown in the illustration



M990010 Wire Guard

- TLX
- CCDS
- RZR3, RZMR3 and RCG3
- CCDMR and CDMR
- LEX and LL
- SL, SLV, REC
- Sentry Custom Graphic
- CDI



M990006 Wire Guard

- TLX
- CCDS
- RZR3 and RCG3
- LEX and LL
- CDI

This Heavy Duty 3 gauge wire guard is ideal for high abuse areas such as gymnasiums.

13.5" H X 11" W X 6" D

Consult Evenlite for applications not shown here or other special applications WG