



WLEM-LED Series

WET LOCATION EMERGENCY LIGHT



PROJECT: _____
 FIXTURE TYPE: _____
 LOCATION: _____
 CONTACT/PHONE: _____

PRODUCT DESCRIPTION

The WLEM-LED features an enclosure which is ideal for wet locations, resistant to corrosive atmospheres, non-hazardous dust environments and to water spray, splashing water or where hose downs frequently occur. It includes two white LED lighting heads for long life, reliable operation.

PRODUCT SPECIFICATIONS

CONSTRUCTION

Corrosion-resistant 5VA flame retardant, UV-stabilized polycarbonate in industrial gray finish • Sealed and gasketed housing with hinged cover • Sealed test switch and power indicator light • Integral breather vent • External mounting brackets for simplified wall mounting • Sealed and gasketed weatherproof lighting heads with tempered glass lenses • Listed for wet location applications (-20°C-40°C).

ELECTRICAL

Dual voltage 120/277VAC • Solid state charging and switching • Brownout protection • Battery low voltage disconnect • Overload and short circuit protection • AC power indicator and sealed test switch.

LAMPS

Supplied with white LED lamps • 1.875W (15 LED's x 0.125) per head

HEADS

Includes two sealed and gasketed weatherproof lighting heads with tempered glass lenses • Contemporary round head design • High performance chrome-plated metallized reflector for optimal light distribution • Adjustable LED lamp heads provide optimal center-to-center spacing.

BATTERY

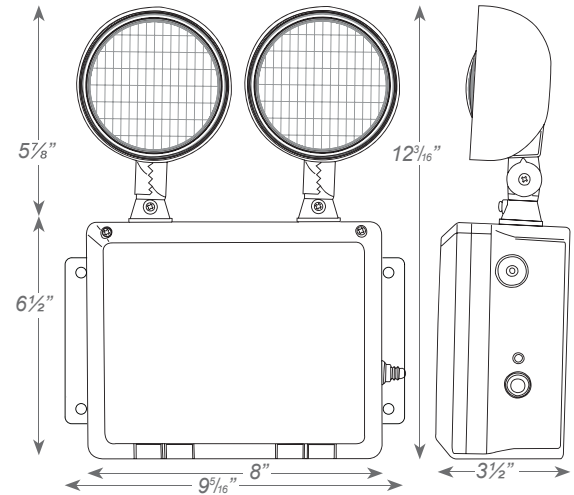
Maintenance-free, 9.6V NiCad battery • Standard battery will operate fixture plus up to 3.7W remote capacity for a minimum of 90 minutes in the event of a power outage

CODE COMPLIANCE

UL924 • Listed for wet location applications (-20°C-40°C) • NFPA 101 Life Safety Code compliant • NEC and OSHA compliant.

WARRANTY

5-year warranty. Product specifications subject to change without notice.



INSTALLATION

MOUNTING

Suitable for wall mounting • External mounting brackets for simplified wall mounting.



ORDERING INFORMATION

model	housing color	options
WLEM-LED	G = Gray	BL = Black Housing

Ordering Example WLEM-LED-G



WLEM-LED Series

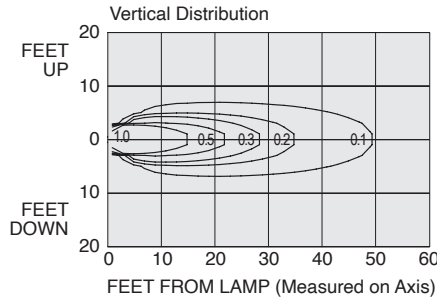
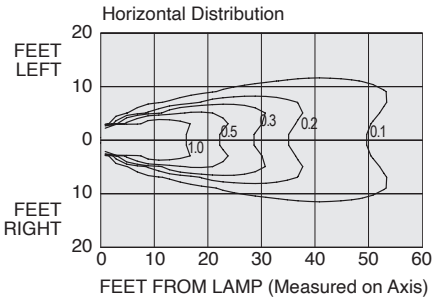
LED WET LOCATION EMERGENCY LIGHT



PROJECT: _____
 FIXTURE TYPE: _____
 LOCATION: _____
 CONTACT/PHONE: _____

PHOTOMETRICS

Luminaire WLEM-LED (Single Head LED EM)



BATTERY DATA

- NiCad battery warranted for five years with additional 5 years pro-rated warranty
- Recharges in 24 hours or less

Type	Battery Voltage	Shelf Life ¹	Expected Life ¹	Temperature Range ²
NiCad	9.6V, 900mAh	3 years	8-10 years	32°F-100°F

¹ At 77°F
² To obtain rated life and capacity.

ENGINEERING DATA

Input Voltage	Max. Amps	Max. Watts
120	0.03	3.1
277	0.02	3.5

ACCESSORIES

Catalog Number	Description	Max. Remote Load Qty.
VRS4	Polycarbonate vandal shield - medium bubble	N/A
RLEDC-1-9.6V	White LED square remote head, white finish, single head	2
RLEDC-2-9.6V	White LED square remote head, white finish, dual head	1
RLEDC-1-WP-9.6V	White LED Outdoor remote head, grey finish, single head	2
RLEDC-2-WP-9.6V	White LED Outdoor remote head, grey finish, dual head	1



WLEM-LED Series

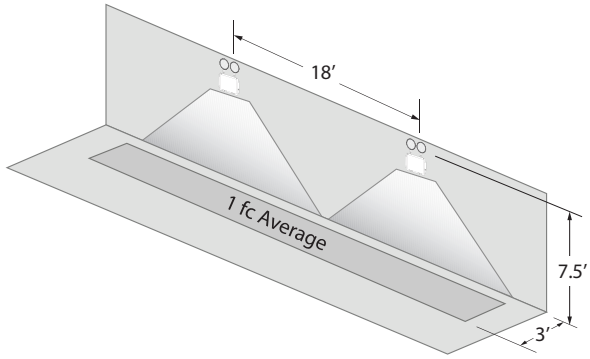
LED WET LOCATION EMERGENCY LIGHT



PROJECT: _____
FIXTURE TYPE: _____
LOCATION: _____
CONTACT/PHONE: _____

SPACING DIAGRAMS

3ft Path Spacing



6ft Path Spacing

