

Job/Location: _____
 Contractor: _____
 Prepared By: _____

Job Type: _____
 Date: _____

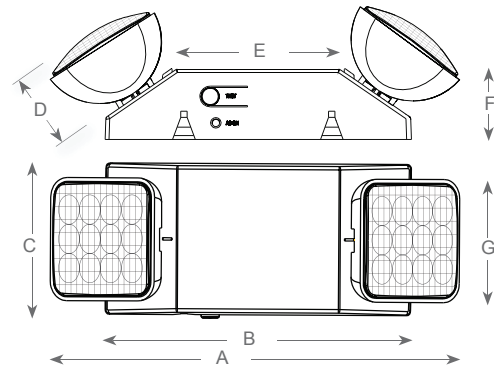


■ specifications: internal

The **XLP-LED2** is configured with a 120/277V input. Optional international voltage (SPV) is available in multi-tap 208/220/240V. **XLP-LED2** comes standard with a rechargeable, maintenance free Ni-Cd battery. Solid state circuitry, low voltage disconnect, AC lockout and brownout protection are standard.

■ specifications: external

The **XLP-LED2** is constructed from 5VA flame retardant, high-impact resistant, thermoplastic. White finish is standard (black color optional). Two fully adjustable 1W LED lamp heads ensure emergency lighting performance, accurate positioning and reduced maintenance. High-lumen option (1.5W per head) available for increased center-to-center spacing. High performance metallized reflector and plastic lens for optimal light distribution. External test switch and monitor LED are standard. Suitable for wall or ceiling mount.



| Model | A | B | C | D | E | F | G |
|---------|---------|----------|---------|--------|---------|--------|----------|
| XLPLED2 | 12" | 10 1/16" | 4 9/16" | 2 1/2" | 5 3/8" | 1 3/4" | 3 11/16" |
| | 304.8mm | 255.5mm | 115.8mm | 63.5mm | 136.5mm | 44.4mm | 93.6mm |

■ ordering logic

| Series | Model | Options |
|--------|----------------|--|
| XLP | LED2 (3.6V 2W) | AT ¹ (autotest) B (black housing) HO (high output) SPV ² (208V/220V/240V 50/60Hz) |

NOTE 1: Autotest options requires autotest compatible remotes. Please see the remote chart on second page.
 NOTE 2: Autotest not available with this option

EXAMPLE: XLP-LED2-SPV
 DESCRIPTION: XLP series, 3.6V 2W, special voltage

■ emergency heads

The **XLP-LED2** comes standard with two 1W LED adjustable heads, high output heads optional (1.5W per head). Emergency lighting heads are mounted on a ratcheted track for accurate positioning and provides optimal center-to-center spacing. **XLP-LED2** is remote capable and can operate two, single head remotes or one, double head remote. Max load per unit: 3W. Remote heads are available.

■ specifications: battery

The **XLP-LED2** is supplied with a maintenance free, 3.6V nickel cadmium battery that provides a minimum emergency duration of 90 minutes. The maximum operating temperature is 50°C. The minimum operating temperature is 0°C.

■ specifications: mechanical

The **XLP-LED2** features fully adjustable ratcheted emergency heads with high impact polystyrene lenses. The housing is injection molded using 5VA flame retardant, high-impact thermoplastic. Available in white or black finishes. Meets UL924, NFPA 101 Life Safety Code, NEC, OSHA, Local and State Codes.

■ autotest

The Beghelli Autotest system performs one 5 minute discharge test monthly. Every 6 months, two 90 minute discharge tests are performed. This tests both full battery capacity and recharge capability, as required by the fire code. The information is communicated simply and intuitively to maintenance personnel via a single multi-color LED. When the LED is green the unit is functioning normally. If the LED is yellow there is a malfunction in the lamp circuit. A red LED indicates a battery or charger problem, including low battery capacity.

Single Multi-Color LED

- Red: Battery or Circuit Malfunction
- Yellow: Lamp Malfunctioning
- Green: Normal Operation

■ remotes

Remotes compatible with the **XLP-LED2**. For more information on these remotes [click here](#).

| MODEL | # of Heads | Voltage/Wattage | Description |
|-----------|------------|-----------------|------------------|
| BRH-1 | 1 | 3.6V/1W | Indoor |
| BRH-2 | 2 | 3.6V/2W | Indoor |
| BRH-WP1 | 1 | 3.6V/1W | Outdoor |
| BRH-WP2 | 2 | 3.6V/2W | Outdoor |
| BRH-1AT | 1 | 3.6V/1W | Indoor Autotest |
| BRH-2AT | 2 | 3.6V/2W | Indoor Autotest |
| BRH-WP1AT | 1 | 3.6V/1W | Outdoor Autotest |
| BRH-WP2AT | 2 | 3.6V/2W | Outdoor Autotest |

■ warranty

The **XLP-LED2** comes with a 3-year factory warranty. Deliberate damage, misuse and/or improper installation effectively cancel the warranty.