

Severe™ XV & XVE Series

NEMA-4X, vandal resistant and harsh environment exit sign



The Severe™ XV Series exit sign is a part of the Severe™ family of NEMA-4X rated emergency lighting products. The Severe™ family offers complete emergency lighting solutions for commercial and industrial environments where protection against humidity, dust, water infiltration and the risk of vandalism are specification criteria. These products deliver state-of-the-art illumination in a visually appealing package.

Construction

- Full gasketed NEMA-4X housing
- Frame: polyvinyl chloride enclosure, fully gasketed around the lens, backplate and canopy to prevent water infiltration
- Faceplate: heavy-duty, vandal-resistant polycarbonate
- Backplate: heavy aluminum
- Comes with both Phillips head and tamper-proof screws
- 6 inch EXIT lettering legend, available in red or green
- Field-selectable chevrons
- Choice of finishes: white, black or gray

Mounting

- Surface mount applications
- Ceiling and wall mount are NEMA-4X
- End and pendant mount are not NEMA-4X
- Canopy included for end or ceiling mount applications
- Universal J-box mounting
- ½ inch conduit entry on top and sides

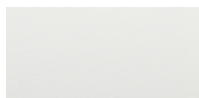
Special Wording Panels

Available. Contact your sales representative with your design requirements

Housing/Face color



Black



White



Gray



Aluminum

The Severe™ NEMA-4X Rated and NSF Certified Family



Severe™ XV12E & XV24E
Combo series
PG. 50-51



Severe™ V
Battery unit
PG. 102-103



Severe™ ELF650
Remote series
PG. 137

Electronics

- Magnetically operated test switch
- Standard Improved Diagnostics (non-audible)
- Optional Nexus®Pro IoT monitoring system
- Optional Nexus® wired and wireless monitoring system
- 120/277 60Hz
- Compatible with Lightalarms Mini Inverters (contact your sales representative for more information)

Approvals

- UL 924 listed
- UL listed for wet and damp location self-powered (50°F to 104°F), AC and ACDC(-40°F to 104°F)
- Self-powered model UL listed for cold weather option (-4°F to +104°F)
- Meets NFPA101 (Life Safety Code), NFPA 70 NEC, OSHA illumination standards
- E-California Energy Commission Title 20

Warranty (subject to proper installation and maintenance)

Five-year limited warranty

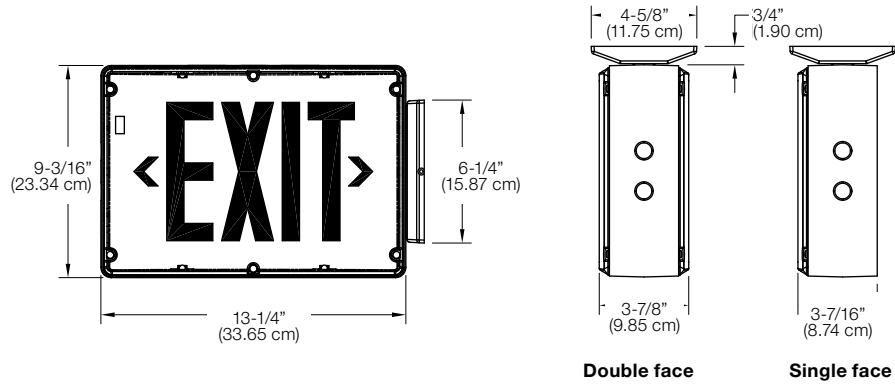
Detailed warranty terms located on [page 197](#) or online at: www.lightalarms.com

nexus™ NEMA-4X



Nexus®Pro

Dimensions (Dimensions are approximate and subject to change):



Power consumption chart

Model	AC Specs	DC Specs
AC-Only	120-277VAC, 50/60Hz (1.2W)	-
AC/DC	120-277VAC, 50/60Hz (1.2W)	6 to 24VDC (Less than 1.5W)
Self-Powered	120-277VAC, 50/60Hz (3.7W)	Ni-Cd battery (Min. 90 minutes)

Accessories (Order as a separate item)

Description	Product code
Convert single face to double face, red (in the field)	DFKR-*
Convert single face to double face, green (in the field)	DFKG-*
Tamper-Proof Bit (extra)	690.0454-L

*Specify White (WT) or Black (BK) housing

Ordering format

Housing/ Face color	Series	Faces	Legend color	Diagnostic	Housing	Options
Blank = Black/Black	XV = AC-only	-1= Single face	-R= Red	Blank = AC-Only models	-4X = NEMA-4X	Blank = No options
BW = Black/White	XVE = Self-	-2= Double face	-G= Green	-D = Improved Diagnostics	housing ²	-2 = Dual Circuit
BA = Black/Aluminum	powered			(non-audible, standard) ¹		(120/120 or 277/277AC only) ³
GB = Gray/Black	Nickel-			-NEX = Nexus [®] wired ¹		-DC = AC/DC 6V to 24VDC ³
GW = Gray/White	Cadmium			-NEXP = Nexus [®] Pro IoT ¹		-CW = Cold weather (Self-Powered
GA = Gray/Aluminum	battery			-NEXRF = Nexus [®] wireless ¹		-4°F to 104°F) ⁴
WB = White/Black						-Y = Open face/special wording
WW = White/White						-CM = Pendant mount
WA = White/Aluminum						

Example: BAXVE-1-R-D-4X-CW

¹ Available with Self-Powered models only
² Wall or ceiling mount only
³ Not available with -NEX or -NEXRF, Nexus[®] option
⁴ Not required with AC model