

TYPE:

CATALOG #:

SURE-LITES®

DESCRIPTION

The Sure-Lites ELX Series Exits are designed for architectural excellence and minimal presence. The crystal clear wedge shaped panel allows architectural details to shine through while providing excellent light distribution and exit visibility.

SPECIFICATION FEATURES

Electronics

- Dual Voltage Input 120/277 VAC, 60Hz
Line-latching
Solid-state Voltage Charger
Solid-state Switching
Brownout Circuit
Low Voltage Disconnect
Overload/Short Circuit Protection
Test Switch/Power Indicator Light

Housing Construction

- 20 gauge steel housing with nine conduit knockouts
Recessed housing available for ceiling, wall or end mounting
Adjustable hanger bars
Molex connectors facilitate installation and maintenance

Trim/Housing Plate

- Injection molded high-impact acrylic panel
NFPA 101 compliant chevron directional indicators (when specified)
Die cast trim plate in Brushed Aluminum (standard), Brass, Chrome, White, Black and Bronze
Red, green or white letters
Clear, white, red, green or mirror insert background

- Mirror background standard on double face exits
Molded letters and chevrons improve aesthetic appearance and increase visibility
Torsion springs secure trim plate to housing - no visible mounting hardware
Easily removable ballast tray/battery compartment

Battery

- Sealed Nickel Cadmium
Maintenance Free, Long Life
Full Recharge Time, 24 hrs. (max.)
Color Coded Leadwires

Code Compliance

- UL 924
Life Safety NFPA 101
NEC/OSHA
Most State and Local Codes

Warranty

- Exit - 1 year
Battery - 15 year pro-rata

Lamp Data

- Two energy saving F8T5 fluorescent lamps
Easy lamp replacement



ELX SERIES

EDGELIT EXITS
SELF-POWERED
EMERGENCY
FLUORESCENT LAMPS
Exit Lighting

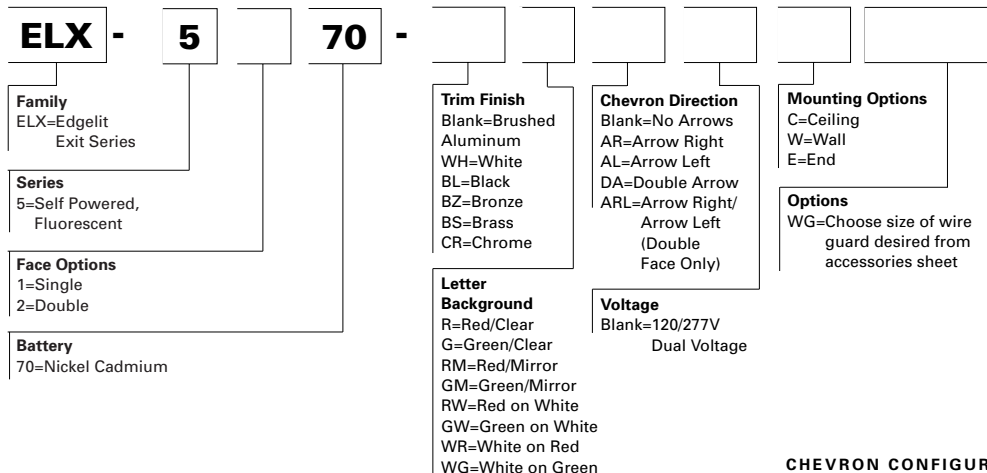


ENERGY DATA
Sealed Nickel Cadmium Battery
Fluorescent Exits - 8W Lamps

- Input Power:
120V = 14W
277V = 14W
Input Current (Max.):
120V = .21A
277V = .09A
Power Factor:
120V = >.56
277V = >.58
T.H.D.:
120V = <12%
277V = <12%

ORDERING INFORMATION

SAMPLE NUMBER: ELX-5170-RARE



CHEVRON CONFIGURATION

Table with columns FRONT, BACK, FACE and rows for AR, AL, DA, DA, ARL configurations.

TECHNICAL DATA

Lamps

Designed specifically for energy savings, long life and economical replacement, the pair of F8T5 fluorescent lamps provide even illumination of the face. In emergency mode, one lamp remains on providing the required illumination.

Power Pack

Dual voltage 120/277 VAC power module is contained in the rough-in section. It will automatically illuminate the sign face for 90 minutes during a power interruption. Power module is equipped with maintenance free sealed nickel cadmium batteries.

Electrical

The electrical ballast tray, with quick connect AC power connectors, integral handles, and simple wiring combine to make installing this exit fast and simple. Lamps on separate AC circuits insure dependability, flexibility and code compliance, even in the most demanding applications. A complete functional test at assembly assures reliability.

Housing Construction

The rugged 20 gauge die-formed cold rolled steel housing is finished with white corrosion resistant baked acrylic enamel. Housing has conduit knockouts in top, end and sides for easy AC wiring connections. Fully adjustable, captive bar hangers make installation easy. The ELX Exit is compatible with grid ceiling systems or hard ceiling and wall applications. Wall or end housings can be mounted in 2 x 4 construction.

Trim

The high-impact, clear acrylic lens panel with precision molded lettering and NFPA 101 compliant directional chevrons makes the face panel of this exit sign clearly superior. A choice of red, green or white letter colors and a mirrored, red, green or white drop-in background insert give exact control of the exit's appearance. The rugged die cast trim plate is attached to the housing back box with torsion springs to insure a tight fit against any wall or ceiling surface. Foam gasketing insures against unsightly light leaks. The standard brushed aluminum finish blends with most any decor. Other finishes are available.

Line-Latched

Sure-Lites' line-latched electronic circuitry makes installation easy and economical. A labor efficient AC controlled load switch prevents the lamps from turning on during installation to a non-energized AC circuit. Line-latching eliminates the need for a contractor's return to a job site to connect the batteries when the building's main power is turned on.

Solid-State Charger

Supplied with a 120/277 VAC, voltage regulated solid-state charger. Immediately upon restoration of AC current after a power failure, the charger provides a high charge rate. The charge circuit reacts to the condition of the battery and alters the rate of charge in order to maintain peak battery capacity and maximize battery life. Solid-state construction recharges the battery following a power failure in accordance with UL 924.

Overload and Short Circuit Protection

The solid-state overload monitoring device in the DC circuit disconnects the lamp load from the battery should excessive wattage demands be made and automatically resets when the overload or short circuit is removed. This overload current protective feature eliminates the need for fuses or circuit breakers for the DC load.

Brownout Circuit

The brownout circuit on Sure-Lites' exits monitors the flow of AC current to the exit and activates the emergency lighting system when a predetermined reduction of AC power occurs. This dip in voltage will cause most ballasted fixtures to extinguish causing loss of normal lighting even though a total power failure has not occurred.

Solid-State Transfer

The Edgelit Exit incorporates solid-state switching which eliminates corroded and pitted contacts or mechanical failures associated with relays. The switching circuit is designed to detect a loss of AC voltage and automatically energizes one of the two lamps. Upon restoration of AC power, the emergency circuit will switch off and the charger will automatically recharge the battery.

Test Switch/Power Indicator Light

Conveniently located combination Test Switch/Power Indicator Light allows for manual verification of proper operation of the transfer circuit and emergency lamps.

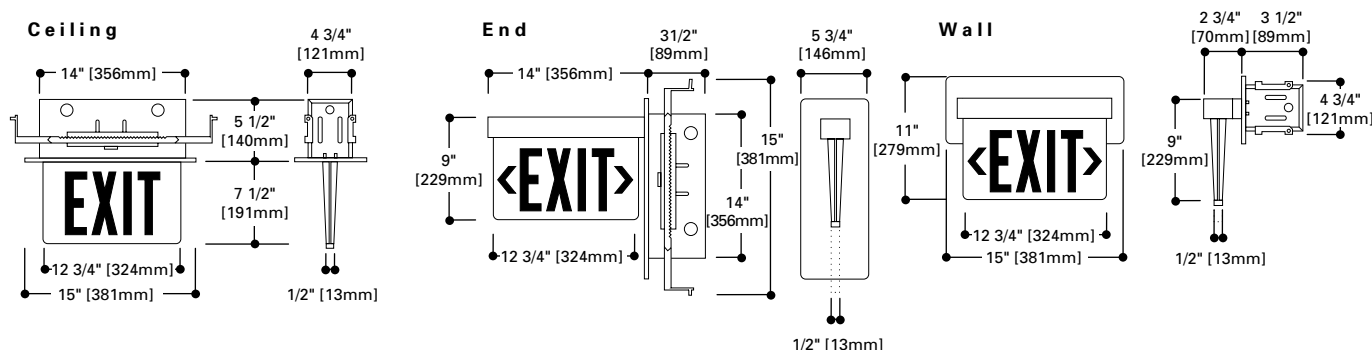
Sealed Nickel Cadmium Battery

Sure-Lites sealed nickel cadmium batteries are maintenance free with a life expectancy of 15 years. The sealed rechargeable nickel cadmium battery offers high discharge rates and stable performance over a wide range of temperatures. The specially designed resealable vent automatically controls cell pressure, assuring safety and reliability. This battery is best suited for harsh ambient temperatures because the electrolyte is not active in the electrochemical process.

Warranty

All Sure-Lites' products are backed by a firm one year warranty against defects in material and workmanship (excluding lamps). Maintenance free, long life, sealed nickel cadmium batteries carry a fifteen-year pro-rata warranty.

MOUNTING OPTIONS



NOTES: See option/accessories or technical sections for additional detailed product data. Specifications and Dimensions subject to change without notice.