

**DESCRIPTION**

The Sure-Lites ELX Series Exits are designed for architectural excellence and minimal presence. The crystal clear wedge shaped panel allows architectural details to shine through while providing excellent light distribution and exit visibility. Long life, energy efficient LED lamps reduce energy costs and eliminate routine lamp maintenance.

**SPECIFICATION FEATURES**

**Electronics**

- Dual Voltage Input, 120/277 VAC or 120/347 VAC, 60Hz
- Long life energy efficient LED lamps
- Line-latching
- Solid-state Voltage Charger
- Solid-state Switching
- Brownout Circuit
- Low Voltage Disconnect
- Overload/Short Circuit Protection
- Test Switch/Power Indicator Light

**Housing Construction**

- 20 gauge steel housing with nine conduit knockouts
- Recessed housing available for ceiling, wall or end mounting
- Adjustable hanger bars
- Molex connectors facilitate installation and maintenance

**Trim/Housing Plate**

- Injection molded high-impact acrylic panel
- NFPA 101 compliant chevron directional indicators (when specified)
- Die cast trim plate in Brushed Aluminum (standard), Brass, Chrome, White, Black and Bronze
- Red or green letter colors
- Clear, mirror, or white insert background

- Mirror background standard (but must be specified) on double face exits
- Molded letters and chevrons improve aesthetic appearance and increase visibility
- Torsion springs secure trim plate to housing – no visible mounting hardware
- Easily removable electronics tray/battery compartment

**Battery**

- Sealed Nickel Cadmium
- Maintenance Free, Long Life
- Full Recharge Time, 24 hrs. (max.)
- Color Coded Leadwires

**Code Compliance**

- UL 924 Listed
- CSA Certified
- Life Safety NFPA 101
- NEC/OSHA
- Most State and Local Codes

**Warranty**

- Exit – 1 year
- Battery – 15 year pro-rata

**Lamp Data**

- AC LED, Red: 56 super-bright, long life LEDs provide uniform illumination
- AC LED, Green: 96 super-bright, long life LEDs provide uniform illumination



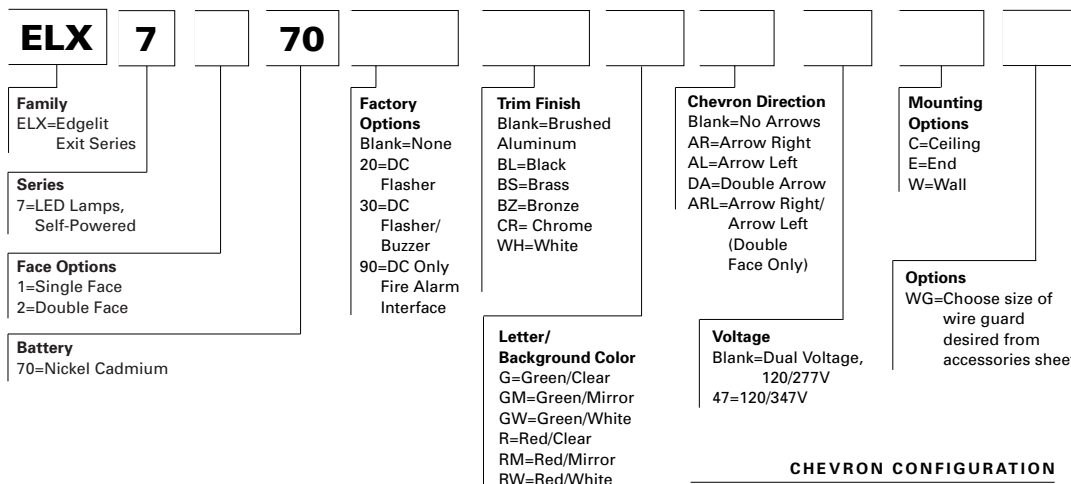
**ELX SERIES**

**EDGE LIT EXITS  
SELF-POWERED  
EMERGENCY  
LED LAMPS  
Exit Lighting**



**ORDERING INFORMATION**

SAMPLE NUMBER: ELX7170RC



**ENERGY DATA  
LED Exits, Red Letters**

Input Power:  
120V = 7.3W  
277V = 7.5W  
347V = 7.7W  
Input Current (Max.):  
120V = .07A  
277V = .03A  
347V = .02A  
Power Factor:  
120V = >.91  
277V = >.90  
347V = >.89  
T.H.D.:  
120V = <23%  
277V = <23%  
347V = <24%

**LED Exits, Green Letters**

Input Power:  
120V = 9.7W  
277V = 9.9W  
347V = 9.4W  
Input Current (Max.):  
120V = .09A  
277V = .04A  
347V = .03A  
Power Factor:  
120V = >.93  
277V = >.92  
347V = >.92  
T.H.D.:  
120V = <24%  
277V = <24%  
347V = <25%

**CHEVRON CONFIGURATION**

	FRONT	BACK	FACE
AR.....	EXIT>	Blank	Single
AL.....	<EXIT	Blank	Single
DA.....	<EXIT>	Blank	Single
DA.....	<EXIT>	<EXIT>	Double
ARL.....	EXIT>	<EXIT	Double

**TECHNICAL DATA**

**Lamps**

Optimized for energy efficiency and aesthetic appearance, the ELX Series Exit uses super-bright, long life LED lamps to illuminate the exit lens.

**Power Pack**

Dual voltage 120/277 VAC power module is contained in the rough-in section. It will automatically illuminate the sign face for 90 minutes during a power interruption. Power module is equipped with maintenance free sealed nickel cadmium batteries.

**Electrical**

The electronics tray with quick connect AC power connectors, integral handles, and simple wiring combine to make installation of the ELX Series Exit fast and easy. Self-Powered versions are standard 120/277 VAC or can also be specified as 120/347 VAC. If necessary, ELX Series electronics trays, housings, and trim assemblies can be shipped separately for rough-in situations.

**Housing Construction**

The rugged 20 gauge die-formed cold rolled steel housing is finished with white corrosion resistant polyester powder coat paint. Housing has conduit knockouts in top, end and sides for easy AC wiring connections. Fully adjustable, captive bar hangers make installation easy. The ELX Series Exit is compatible with grid ceiling systems or hard ceiling and wall applications. Ceiling, end, and wall mount fixtures use one common housing which is suitable for mounting in 2 x 4 construction.

**Trim**

The high-impact, clear acrylic lens panel with precision molded lettering and NFPA 101 compliant directional chevrons makes the face panel of this exit sign clearly superior. A choice of red or green letter colors and clear, mirror, or white drop-in background inserts enables precise control of the fixture's aesthetic appearance. The rugged die cast trim plate is attached to the housing back box with torsion springs to insure a tight fit against any wall or ceiling surface. Foam gasketing insures against unsightly light leaks. The standard brushed aluminum finish blends with most any decor. Other finishes are available.

**Line-Latched**

Sure-Lites' line-latched electronic circuitry makes installation easy and economical. A labor efficient AC activated load switch prevents the lamps from turning on during installation to a non-energized AC circuit. Line-latching eliminates the need for a contractor's return to a job site to connect the batteries when the building's main power is turned on.

**Solid-State Charger**

Supplied with a 120/277 VAC, voltage regulated solid-state charger. Immediately upon restoration of AC current after a power failure, the charger provides a high charge rate. The charge circuit reacts to the condition of the battery and alters the rate of charge in order to maintain peak battery capacity and maximize battery life. Solid-state construction recharges the battery following a power failure in accordance with UL 924.

**Overload and Short Circuit Protection**

The solid-state overload monitoring device in the DC circuit disconnects the lamp load from the battery should excessive wattage demands be made and automatically resets when the overload or short circuit is removed. This overload current protective feature eliminates the need for fuses or circuit breakers for the DC load.

**Brownout Circuit**

The brownout circuit on Sure-Lites' exits monitors the flow of AC current to the exit and activates the emergency lighting system when a predetermined reduction of AC power occurs. This dip in voltage will cause most ballasted fixtures to extinguish causing loss of normal lighting even though a total power failure has not occurred.

**Solid-State Transfer**

The ELX Series Exit incorporates solid-state switching which eliminates corroded and pitted contacts or mechanical failures associated with relays. The switching circuit is designed to detect a loss of AC voltage and automatically energizes one of the two lamps. Upon restoration of AC power, the emergency circuit will switch off and the charger will automatically recharge the battery.

**Test Switch/Power Indicator Light**

Conveniently located combination Test Switch/Power Indicator Light allows for manual verification of proper operation of the transfer circuit and emergency lamps.

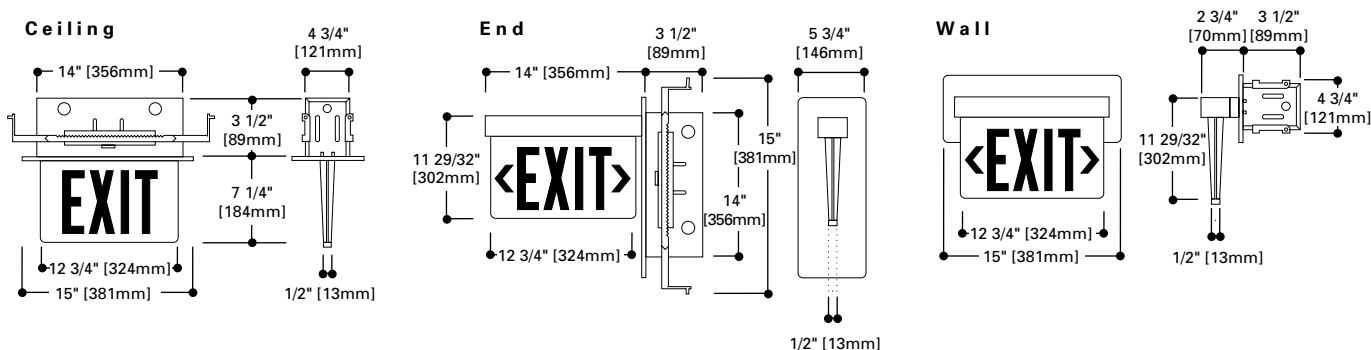
**Sealed Nickel Cadmium Battery**

Sure-Lites sealed nickel cadmium batteries are maintenance free with a life expectancy of 15 years. The sealed rechargeable nickel cadmium battery offers high discharge rates and stable performance over a wide range of temperatures. The specially designed resealable vent automatically controls cell pressure, assuring safety and reliability. This battery is best suited for harsh ambient temperatures because the electrolyte is not active in the electrochemical process.

**Warranty**

All Sure-Lites' products are backed by a firm one year warranty against defects in material and workmanship. Maintenance free, long life, sealed nickel cadmium batteries carry a fifteen-year pro-rata warranty.

**MOUNTING OPTIONS**



NOTES: See option/accessories or technical sections for additional detailed product data. Specifications and Dimensions subject to change without notice.