



6 Volt Provider Series

The **Provider Series** is the new look in emergency lighting design. Its sleek low profile thermoplastic body and transparent polycarbonate lamp shield combine to make a contemporary style that's just right for today's aesthetic demands. Finished in off-white, the provider will compliment a variety of interiors in stores, offices, theaters, restaurants and shopping malls. Provider is versatile too, its body, measuring only 11" X 5" can be mounted in any orientation on wall or ceiling.

UL Listed for use in Damp Locations

UL Listed

Complies with NEC, Life Safety Code and OSHA.

Sealed Maintenance-Free Batteries

- Lead Calcium

Standard Features

Reliability

The Provider Series comes complete with a 3-year full warranty.

Unit Data

The Provider, constructed of thermoplastic, is completely self-contained. A polycarbonate shield protects the fully adjustable self-locking heads. The 6 volt high intensity tungsten (HIT) lamps and mirrored reflectors supply generous amounts of emergency lighting.

Reliable Integrated Circuitry:

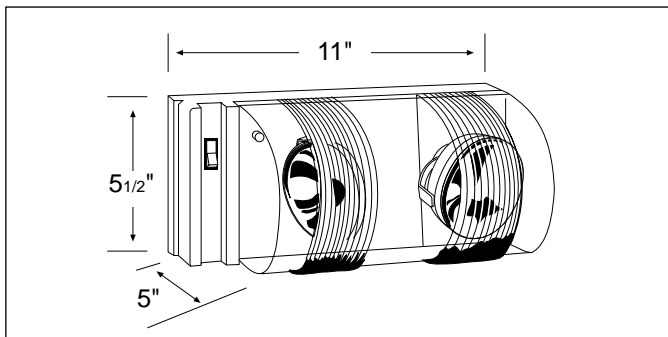
Integrated circuitry offers 120/277 volt input standard, LED pilot light, rocker type test switch, temperature compensated, low voltage battery disconnect, brownout protection and lockout (automatic battery connect).

PulsePlus Diagnostics

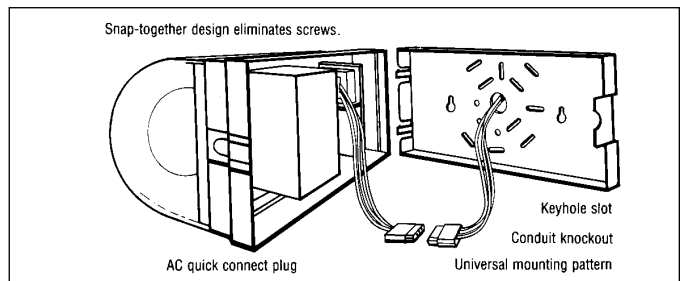
We've taken our standard PulsePlus circuitry, with all its standard features, and added a diagnostic option that continuously monitors every critical function of the unit and uses five colored LED's to indicate operational status. GREEN...AC On, AMBER...Float Charge, RED...Pulse Charge, RED...Lamp Failure, RED...Battery Failure.

Outline and Dimensions

Dimensions are approximate and subject to change.



Fast and Easy Installation



Provider's AC quick-connect plug, battery lockout feature and snap-together design make installation fast and easy. With the AC quick-connect plug, contractors simply make the AC connection to the plug, mount the backplate and plug in the unit. The battery lockout feature is an AC activated load switch that prevents the batteries from discharging until the unit is energized with AC power. This allows the contractor to install the Provider and connect the batteries in one convenient operation. A universal mounting pattern keyhole slots and a conduit knock-out provide alternate mounting methods.

How To Order

For standard Provider unit	Model # PRO-2
Optional Features	Add Suffix
Provider UL Listed for Damp Location	DL
Provider unit with Voltmeter option	VM*
Provider unit with vandal resistant option (Tamper-Proof Screws)	VR
Provider unit with PulsePlus Diagnostics	PPD
Provider unit with black housing option	B
Provider unit with cord set	CP**
Replacement Lamps	No. 939
Emergency Powered Lazer	LZ***

Provider remote lighting fixtures (Requires an external DC source)

6 Volt 7.2 Total Unit Wattage	6PRO-7
6 Volt 10.8 Total Unit Wattage	6PRO-10
12 Volt 18 Total Unit Wattage	12PRO-2(ZF)
24 Volt 18 Total Unit Wattage	24PRO-2(ZN)

* Not available with Diagnostics Options.

** Standard cord is 3 ft. custom lengths available.

*** Lazer intended for guidance assistance not lamp substitution.