

LP Series 6 and 12 Volt Thermoplastic Enclosure



The **LP Series** is offered where an attractive conventional emergency lighting unit is required. This series offers a wide selection of battery capacities for use when large numbers of remote fixtures are desired.

UL Listed

Complies with NEC, Life Safety Code and OSHA. Approved for use in the Commonwealth of Pennsylvania

Sealed Maintenance-Free Batteries

- Nickel Cadmium
- Long Life Lead
- Lead Calcium

Standard Features

Reliability

The LP Series comes complete with a 3-year full warranty.

Unit Data

The off-white thermoplastic housing includes removable front panel, keyhole mounting slots, 1/2" knockout and universal mounting cluster. Available with 1, 2, or 3 EF-18 heads.

PulsePlus Charger

PulsePlus circuitry offers 120/277 volt input 60 Hz., 0.3 Amp (other inputs available), fused output circuit(s), dual diagnostic indicator lights, temperature compensation, sealed relay, low voltage battery disconnect, brownout protection and lockout (automatic battery connect).

Optional Features

Description

	Add Suffix
Ammeter OR voltmeter (choose only one)	A OR V
Lamp disconnect switch	LD
Time delay (specify 5, 10 or 15 minutes)	TD
Cord set – 120 volt	CP*
Cord set – special voltage (specify plug type)	XP
Non-standard input voltage	Specify
Automatic unit cyler	AUC

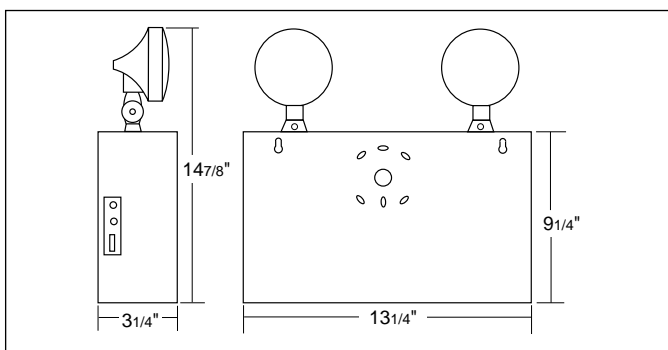
Accessories (order as a separate item)

Wire guard

*Standard cord is 3ft. custom lengths available.

Outline and Dimensions

Dimensions are approximate and subject to change.



Unit Rating Chart

Furnished standard with two 9 watt High Intensity Incandescent lamps.

UNIT EQUIPMENT - NO REMOTE CAPABILITY						
Sealed Maintenance-Free Battery Types	D.C. Voltage	Model Number	*Watts to 87 1/2% of rated battery voltage			
			1 1/2 hrs.	2 hrs.	3 hrs.	4 hrs.
Nickel Cadmium	6	LPC18-2	18	12	9	6
Long Life Lead	6	LPE18-2	18	11	8	6
Lead Calcium	6	LPM18-2	18	12	10	7
UNIT EQUIPMENT - WITH REMOTE CAPABILITY						
Nickel Cadmium	6	LPC25-2	25	18	12	9
	12	12LPC36-2	36	21	15	12
	12	12LPC50-2	50	36	25	18
Long Life Lead	6	LPE27-2	27	19	14	10
	6	LPE36-2	36	24	17	13
	6	LPE50-2	50	36	26	20
	12	12LPE36-2	36	24	17	13
Lead Calcium	12	12LPE54-2	54	37	28	21
	6	LPM27-2	27	18	14	10
	6	LPM36-2	36	25	20	14
	6	LPM54-2	54	37	28	21
	12	12LPM36-2	36	25	20	14
12	12LPM54-2	54	37	28	21	

*National Electrical Code Specification

How To Order (example)

For standard units without options only order Series, Battery, Watts, Heads

Options are added to units by listing suffix at end of model #

LP - C - 18 - 2 - *(ZD) - WG2

Series	Battery Type	Watts	Heads	Lamp Option	Option
	nickel cadmium	for 90 min.	on unit	6V 9W Incandescent	Wire Guard

Includes Standard Lamp

*see lamp data sheet in lighting fixture section for other lamp wattages.