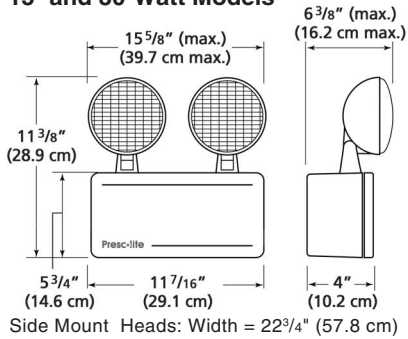
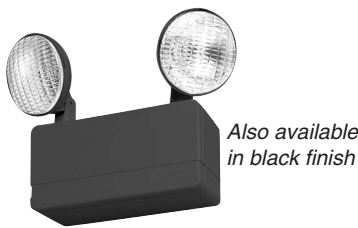
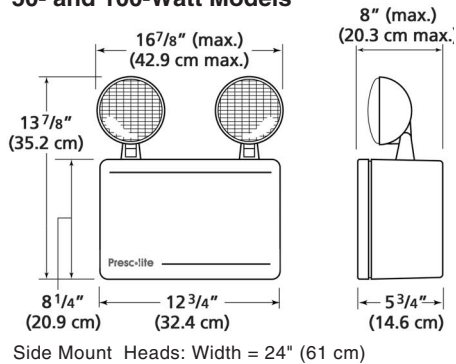


Type: _____

15- and 30-Watt Models



50- and 100-Watt Models



The NVEC series provides 6- and 12-volt models with capacities up to 100 output watts. The unobtrusive housing features softly rounded corners and is constructed of rugged, high-impact thermoplastic.



Standard Features

- Injection molded high impact, UV stabilized thermoplastic
- Standard white housing, optional black finish
- T-5 incandescent lamps
- Lampheads may be top or side mounted
- Most models capable of powering remote lampheads
- Maintenance-free battery
- Dual voltage – 120/277VAC
- Automatic low voltage disconnect
- Thermally compensated charger
- Regulated charge voltage
- Reverse polarity protection
- Filtered charger output
- Universal wall mounting plate
- Short circuit protection
- AC lockout
- Test switch and AC-On light
- Optional **CVS** self-testing electronics
- Temperature range: 20°C to 30°C (68°F to 86°F)
- UL 924 Listed

Model Numbers

Standard Models		NiCad Battery Models	
NVEC15	(6V, 15W)	NVEC15N	(6V, 15W)
NVEC30	(6V, 30W)	NVEC30N	(6V, 30W)
NVEC50	(6V, 50W)	NVEC50N	(6V, 50W)
NVEC50-12V	(12V, 50W)	NVEC50N-12V	(12V, 50W)
NVEC100-12V	(12V, 100W)	NVEC100N-12V	(12V, 100W)

Options (Add suffix to catalog number)

- CVS** Continuous Verification System⁽¹⁾⁽²⁾
- B** Black Housing
- EV1** Voltmeter
- ECS** Auxiliary 2-conductor AC line cord (120V)
- 0** No lampheads⁽³⁾
- T** Halogen lamp option⁽⁴⁾
- 24K** 220/240VAC, 60Hz operation

(1) Add "CVS" self-test option suffix immediately after base model number.
Example: NVEC50CVS

(2) Not available with NiCad Battery models.

(3) Not available with NVEC15 and NVEC15N models.

(4) Specify voltage and wattage when ordering.

Accessories (Order Separately)

- 40G** Wire Guard⁽³⁾
- 41G** Wire Guard⁽⁴⁾
- NVH** Matching remote head - single⁽⁵⁾
- NVHD** Matching remote head - twin⁽⁵⁾

(3) For top-mounted heads on 15- and 30-watt models.

(4) For top-mounted heads on 50- and 100-watt models and side-mounted heads on 15- and 30-watt models.

(5) Supplied with mounting plate.

Specify voltage and wattage when ordering.

Example: NVHD1212

See Remote Fixtures data sheet 0601888.



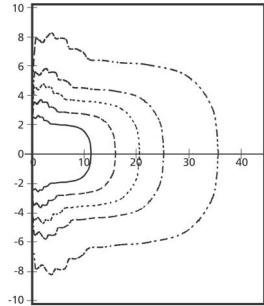
Housing

Compact size. Molded from high impact mar-resistant thermoplastic. The unit has a textured white finish. A universal mounting pattern and keyhole slots are provided on the backplate to make installation simple. Knockouts on the top and side are provided for conduit feed.

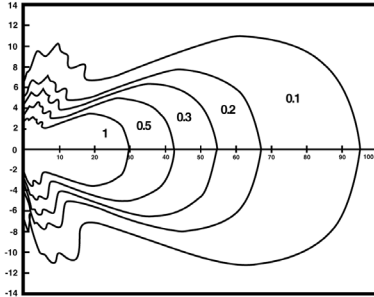
Light Source

6-volt models are furnished standard with two 7.2 watt T-5 lamps. 12-volt models are furnished standard with two 9 watt T-5 lamps. Fully directional, injection molded lampheads will remain in place once they are aimed in desired direction.

6 Volt, 7.2 Watt T-5 Lamp



12 Volt, 9 Watt T-5 Lamp



Optional Lamps

To order non-standard lamps, suffix catalog number. Example: NVEC50-12V-T1212

Battery

Standard models are supplied with maintenance-free lead-acid batteries. NiCad models are supplied with long-life, maintenance-free nickel-Cadmium batteries. Batteries are completely sealed and never require water to be added.

Electronics

In standard lead-acid battery models, the charger is a fully-automatic, constant voltage, current limited type. Charger voltage is regulated to $\pm 1\%$ of nominal system voltage. In NiCad battery models, the charger is a fully-automatic constant current type. All chargers are temperature compensated and protected against short circuit and reverse polarity conditions. Transfer to emergency operation is completely automatic upon failure of utility AC voltage. A brownout circuit is provided and a low voltage disconnect circuit prevents deep discharge damage to the unit battery during prolonged power outages. An AC lockout prevents battery discharge before the unit is energized with AC power. Full battery recharge occurs in compliance with UL 924 specifications. A universal 120/277VAC, 60Hz input transformer, test switch and long life AC pilot light are all provided standard.

Limited Warranty

Description	Warranty In Years		
	Unit Full	Battery	
		Full	Pro-Rata
NVEC Series	3	1	5
NVEC NiCad battery models	3	1	9
NVEC models with CVS option	5	2	4

Batteries must be placed in service or recharged within nine (9) months from factory shipment date. This warranty only applies when the product is used as intended. Any abuse or misuse contrary to normal installation or operation shall void this warranty.

Suggested Specifications

Self-contained emergency lighting unit shall be Prescolite Life Safety Products model _____. The unit shall supply the rated load for a minimum of 1½ hours to not less than 87½% of rated battery voltage. The unit shall be rated 120/277VAC, 60 Hz and be listed with Underwriters Laboratories to Standard 924. The emergency power source shall be a fully rechargeable maintenance-free (lead-acid)(nickel-cadmium) battery. The housing shall be constructed of high impact thermoplastic in (white)(black) finish. Electronics shall include a solid state charger with regulated charge voltage, current limitation, temperature compensation and short circuit protection. A low voltage disconnect and AC lockout will also be included in the electronics. Illumination shall be provided by two (7.2)(9) watt sealed beam type incandescent lamps housed in fully directional, high impact thermoplastic lamphead assemblies.

Product Selector Guide

Standard Models	NiCad Battery Models	Electrical										
		Output Volts	Output Watts				Input Amps		Input Watts		Standard Lamp	Remote Capability
			1.5 Hrs.	2 Hrs.	3Hrs.	4Hrs.	120V	277V	120	277V		
NVEC15	NVEC15N	6	15	--	--	--	.07	.03	8.4	8.8	7.2W	No
NVEC30	NVEC30N	6	30	22	15	12	.07	.03	8.4	8.8	7.2W	Yes
NVEC50	NVEC50N	6	50	38	25	20	.17	.08	20	20	7.2W	Yes
NVEC50-12V	NVEC50N-12V	12	50	38	25	20	.11	.05	13	14	9.0W	Yes
NVEC100-12V	NVEC100N-12V	12	100	76	54	44	.32	.14	39	28	9.0W	Yes