

PRODUCT OVERVIEW

The PRESTO emergency lighting unit is ultra-thin in design; allowing for unobtrusive wall and ceiling installations. The durable injection-molded polycarbonate housing is corrosion, flame and vandal resistant. The Beghelli patented "Plug-in" connection system ensures easy installation and maintenance. The low profile design of the PRESTO series complies with the American Disability Act.

EXTERNAL SPECIFICATIONS

The PRESTO emergency lighting unit is constructed with a corrosion, flame and vandal resistant polycarbonate housing. The UV stabilized polycarbonate translucent ensures durability and superior light output. External test switch and monitor LED are standard.

REFLECTOR

The PRESTO series reflector is constructed of injection molded, self-extinguishing, UV stabilized polycarbonate. The reflector supports components including the circuit, battery and lamp.

DIFFUSER

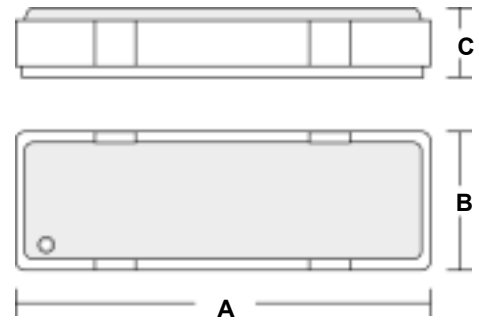
The PRESTO diffuser is UV stabilized to reduce the yellowing index and provide superior light output.

INSTALLATION

Surface ceiling or wall mounting. Suitable for wet location installations on normally inflammable surfaces.



DIMENSIONS (in.)



Wattage	A"	B"	C"
1x27W	2 1/2"	6 3/4"	2 1/4"

ORDERING INFORMATION

Series	Lamps	Operation	Input Voltage
9	24 (1x27w PL fluorescent)	HT (AC only)	US (120v)
		SE (emergency only)	US2 (277v)

EXAMPLE: 924-SE-US2
DESCRIPTION: Presto emergency luminaire, emergency only, 277 volt.



Presto Technical Data

WET LOCATION APPLICATIONS

The need for outdoor emergency lighting is increasing. Areas such as hotels, apartments, condominiums, theaters, hospitals, restaurants and other public areas are implementing outdoor emergency units in order for people to exit these areas in case of a power failure and safely move away from the building. The PRESTO is ideal for these installations. Corrosion resistant housing and lens ensure outdoor durability. The compact size blends in with the exterior architecture. Installed above an exterior door or along a walkway railing; when the power fails, these paths to safety will be effectively illuminated.

CORROSION RESISTANT

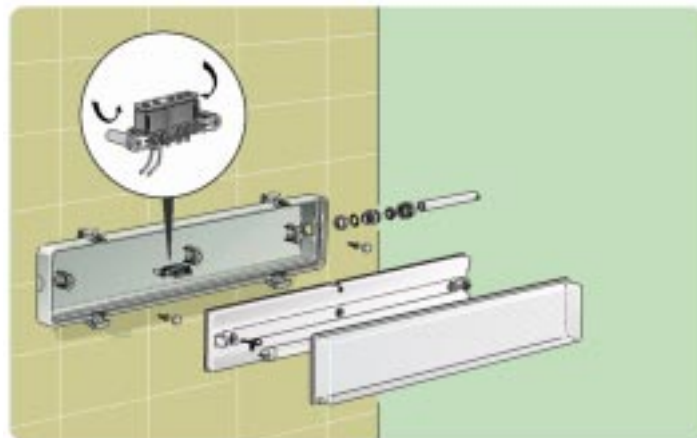
The corrosion resistant, polycarbonate material used in the PRESTO is resilient to most environments and chemical exposures. The increased durability allows for the PRESTO to be installed in areas such as: fish farms, greenhouses, chemical spraying areas, marinas, docking bays, food preparation areas and hose down facilities.

BATTERY & CIRCUIT TECHNOLOGY

The PRESTO series emergency unit uses an internal 6 volt 3.2ah sealed lead acid battery that provides a minimum 90 minutes emergency duration. The automatic recharge circuit is regulated by an electronic volt sensor and the battery is protected by a low-voltage cut-off circuit. An input voltage of 120v or 277v must be selected when ordering from the factory.

"PLUG-IN" MOUNTING

The PRESTO emergency lighting unit uses the Beghelli patented "Plug-In" connection system allowing for easy installation and maintenance.



IP65 / WET LOCATION GASKETING

The PRESTO carries an IP65 / Wet location rating due to the advanced liquid silicon gasketing that completely seals the unit from moisture infiltration. Emergency units are especially vulnerable to fire sprinkler activation since emergency lighting units are often installed right next to sprinkler heads. The IP65 / Wet location rating ensures protection not just from ambient moisture but also from jets of water like those given off by broken or activated sprinkler heads.

WARRANTY

The PRESTO comes from the factory with an unconditional 5 year product warranty. Lamp is not covered.