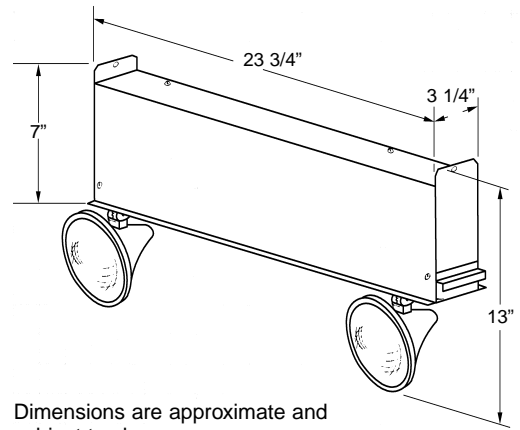


Black Housing Available

Decorative Style Equipment T-Bar Unit with Maintenance-Free Lead Calcium Battery



Dimensions are approximate and subject to change.



application For areas where a fully recessed "slim-line" ceiling unit is desired. Ideal for locations where there is limited wall space and where the greater directional flexibility of ceiling mounted heads is needed to provide a broader light distribution.

features

- **CONSTRUCTION:** 18 gauge steel, finished in mist white enamel. Provisions for mounting up to 3 heads.
- **MOUNTING:** Lay-in installation in T-bar grid ceiling and secured with tie wires. Back box has a removable cover for ease of installation and full access to battery and charger.
- **ELECTRONICS:**
 - Automatic, temperature compensated, pulse type charger.
 - High capacity, automatic, dust tight instantaneous transfer relay.
 - Low voltage disconnect prevents overdischarge of battery. Automatic brown out protection is provided.
 - Labor saving AC line latch prevents battery discharge during installation to a non-energized circuit.
 - Fused output circuit.
- **CONTROLS:**
 - Red charger monitor LED indicates state of charge of the battery
 - Orange AC-ON LED indicates AC power is on
 - Momentary test switch allows for quick operational check of entire system.
- **POWER REQUIREMENTS:** 120/277 Volt AC.

battery

6 or 12 volt, long life, maintenance-free sealed lead calcium. Nickel Cadmium battery available upon request.

lamp heads

PAR 36 size, high impact mar-resistant white thermoplastic heads, furnished with high intensity incandescent lamps.

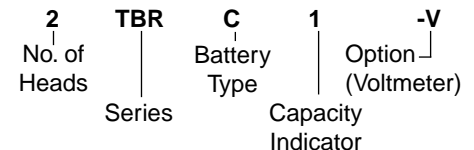
Note: Tungsten halogen lamps optional.

options

- (Add Suffix to Model No.)** **Suffix**
- Black Housing and Heads **-B**
 - Voltmeter (Not available with diagnostics) . . . **-V**
 - *Simple Diagnostic **-SD**
 - Improved Diagnostic **-ID**
 - Improved Diagnostic (non-audible) . . . **-IDNA**
 - Time Delay (12 min.) **-TD**
 - Nickel Cadmium Battery **-N**
- *Not available with Nickel Cadmium Battery

Note: Certain option combinations may effect the UL listing. Please contact the factory for specifics.

ordering format



unit selection chart

Volts	Model No. (unit/Lamp Suffix)	Capacity in Watts to 87 1/2 % of Nominal Battery Voltage				Standard Lamps		
		1 1/2 Hrs.	2 Hrs.	3 Hrs.	4 Hrs.	Watts/Head	Type	Lamp Rplc. No.
6	2TBRC1/L9	27	20	14	10	9	Incand.	570.0016
	2TBRC2/L9	54	36	25	18	9	Incand.	570.0016
	2TBRC3/L9	81	48	33	24	9	Incand.	570.0016
12	2T12BRC2/L25	54	36	25	18	25	Incand.	570.0031