

Good Things Come in Small Packages...



Actual Product Size Shown

The New UV11





UV11

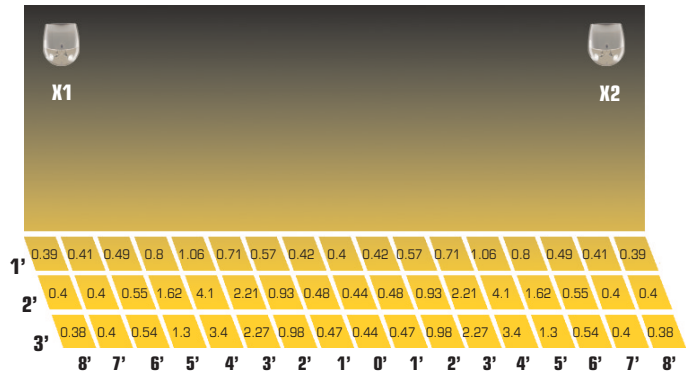
6 Volt, 11 Watt Contemporary Emergency Lighting



Features

- Ideal for vandal prone or high abuse areas
- White housing is standard, black optional
- High abuse housing, backplate and electronics shell are molded from high impact GE Lexan® 940 polycarbonate
- Junction box gasket, tamperproof screws and standard screws are included with the product
- Powerful MR11 halogen lamps are fully adjustable, and are secured by stainless steel lamp holders
- UL listed for damp locations
- 120/277 VAC dual voltage input with surge protection
- Low voltage disconnect, AC lockout, brownout protection and combination indicator lamp and illuminated test switch
- Maintenance free, sealed lead calcium battery

Optics



AVERAGE FOOTCANDLES AT FLOOR = 1.01
 Chart represents (2) Luminaires mounted on 16' centers, Mounting height 8' AFF
 X1 = Luminaire Location #1 / X2 = Luminaire Location #2

Ordering Information

UV

SERIES

UV = Unison Vandal Series

11L

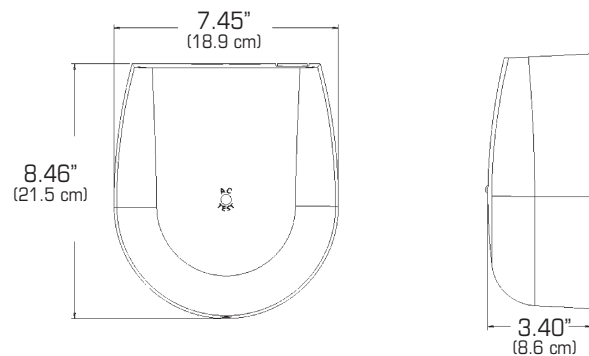
WATTAGE/BATTERY

11L = 11 Watt Lead Calcium

HOUSING COLOR

W = White
B = Black

Dimensions



Suggested Specification

Furnish and install Lightguard vandal resistant emergency lighting model UV11LW(B). The unit shall be constructed to meet Underwriter's Laboratories, Inc. Standard #924 and must be installed to conform to Article 700 of the National Electrical Code (NEC).

INSTALLATION AND OPERATION - Unit shall be easily field connected to a 120 or 277 VAC, 60 hertz, unswitched power source. Installation must comply with the NEC as well as other applicable codes. Upon utility power failure or brownout, the unit shall automatically provide emergency battery power and maintain the stated illumination level and output wattage for a minimum period of 90 minutes. Upon restoration of utility power, the charging circuitry shall restore the battery to full charge within UL 924 requirements following a rated discharge of not more than 90 minutes.

CHARGING CIRCUITRY - Unit shall utilize a solid-state, fully automatic, voltage regulated charging system which will maintain the battery at full capacity without the need for periodic exercising or equalization. The following features shall be standard: Low voltage disconnect (LVD), brownout protection and AC lockout.

BATTERY - The battery shall be maintenance free, sealed lead calcium type. The battery shall provide trouble-free operation in temperatures up to 85°F (30°C) and is supplied with a one year full, four year pro-rata warranty.

ILLUMINATION - Illumination shall be provided by two internally mounted MR11 style 5.5 watt halogen lamps. The exposed lamp holding assembly and all exposed metal hardware shall be manufactured from stainless steel. When mounted on 16' centers at 8' AFF, the unit shall provide an average of 1.01 footcandles between luminaires from base of wall to 3' from wall. Lamp assemblies must be capable of 180 degree horizontal rotation, and 160 degree vertical rotation.

HOUSING - Housing shall meet or exceed UL 514C stress testing standard. Outer cover, backplate and electronics cover shall be injection molded from GE Lexan® 940 polycarbonate, rated for UL 94 V-0, 5 VA applications. Backplate shall be compatible for mechanical fastening to 3-1/2" or 4" octagon, or 4" square junction boxes and be supplied with a knockout pattern to facilitate mounting. Modular utility supply connectors shall eliminate hardwire line voltage terminations inside the product housing, except when utility supply is provided via surface conduit. Regular and tamperproof screws shall be provided along with a weather resistant gasket for installation in damp location environments. When installed using the supplied tamperproof screw kit, product shall not be capable of removal from wall, or subject to opening of the electronics compartment with standard tools.

© Lexan is a registered trademark of General Electric Company



L23051